

AUDIO CONTROLLER/INTERCOM SYSTEM



Nobody knows audio control like PS Engineering. Now PS Engineering brings that level of expertise where it is needed most, professionally flown aircraft. The PAC24 was designed from the bottom up as a powerful audio system to meet the needs of airborne law enforcement, EMS, forestry, and special mission aircraft.

Best yet, the revolutionary PAC24 is designed to be easily retrofit compatible into the same installation as a King KMA24H (-71). This makes adding modern, flexible, audio control and a high performance intercom into aircraft with aging audio panels easy and cost effective.

The PAC24 contains PS Engineering's legendary IntelliVox® intercom, which eliminates squelch controls by using digital circuitry to sample each microphone independently, and distinguish between noise and voice. Proven in the harshest audio environments, like helicopters, it just plain works flawlessly.

The headphone amplifier is the most powerful and cleanest in its class, delivering 120mW of punch to overcome the loudest cockpit environments.

The PAC24 has all of the same features you expect from PS Engineering, like Swap™ mode (change radios by a push of a remote button), split mode (pilot and copilot on different radios), and a 3-year warranty. Designed from the beginning as

a dual-capable system, the PAC24 offers outstanding flexibility for crew member and passenger communications. In a dual configuration, the pilot audio panel has command of the ships' audio if necessary, while the copilot side is able to handle any necessary audio chores.

In cases where the crew wants extra control, the PAC24 can be switched to PTT-ICS mode. This prevents the intercom from activating until a discrete push to talk switch is activated.

An "Observer" version of the PAC24 is also available. This unit allows radio transmission capabilities for a third person when configured as a special mission dual audio panel system. One audio panel provides Pilot and Copilot dual audio radio control, while the other audio control panel gives radio control to an Observer position. The transceiver controls are coordinated to prevent inadvertent transmissions, thus if the Pilot and Copilot are in Split mode (Pilot on COM 1 while Copilot is on COM 2), the system prevents the Observer from having access to COM 1 or COM 2, while allowing observer complete access to COM 3, COM 4 and COM 5.

COM 5 has special properties in the PAC24. It can be configured as either a conventional Com 5 transceiver, or as a cellular telephone input. It provides full

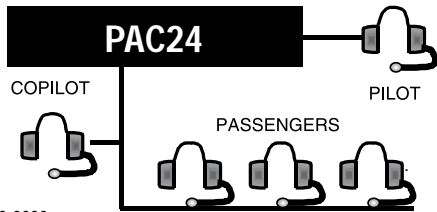
duplex telephone capability along with distribution of the telephone call. This allows either private or party line phone calls. And for those who are replacing order Bendix/King KMA-24H, the PAC24 is a slide in replacement. There is no rewiring unless additional capability is desired,

PAC24 Features

- Five Transceiver capability
- Split transmit capability
- Intellivox® intercom
- Powerful 120mW phones amplifier
- 5-place intercom
- Dual-system configurable
- Expandable to 10 places
- Music input with SoftMute™
- Tray and pin compatible with KMA24H (-71)
- Swap™ Mode
- Duplex telephone mode
- Stuck Mic detector
- Optional radio recorder
- Dual volume controls
- 3rd Transmit Seat capability in dual audio panel config.
- FAA-TSO approved

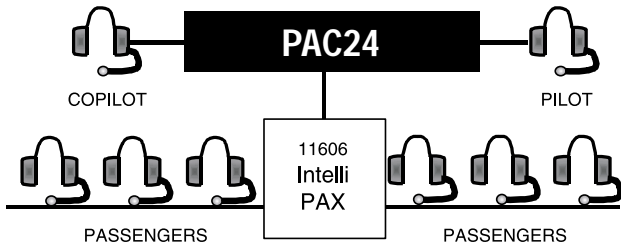
SPECIFICATIONS

Case I



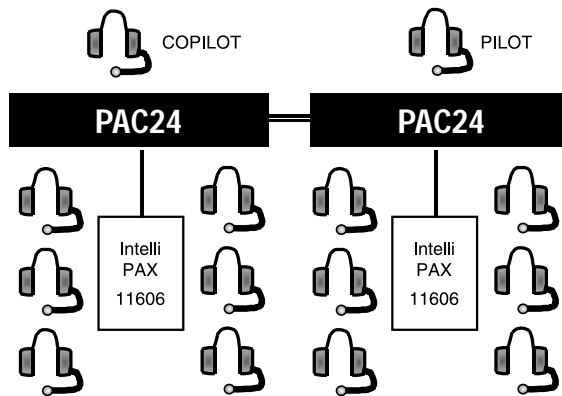
(1) 050-240-0000

Case II



(1) 050-240-0000

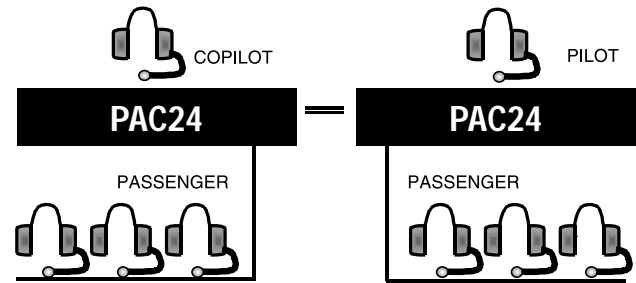
Case IV



(2) 050-240-0000

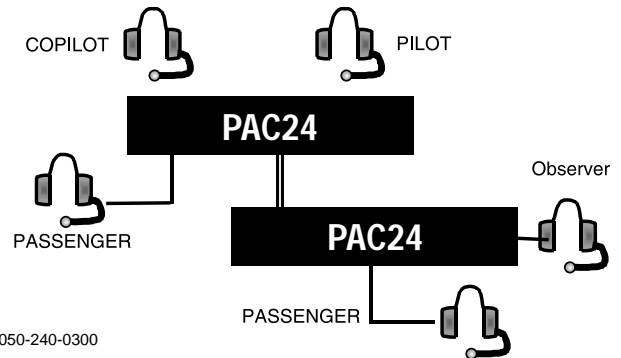
Case	PAC24	Expansion Unit	Passengers	Crew Mode
I	Single	No	3	No
II	Single	Yes	6 or 8	Yes
III	Dual	No	6 (3+3)	Yes
IV	Dual	Yes	12	Yes
V	Observer	No	2	No

Case III



(2) 050-240-0000

Case X



(2) 050-240-0300

Approval Basis: FAA-TSO C50c
Certification Documents: RTCA DO-214 DO-160D, DO-178B
Intercom: 5-place
Transceivers: 5 (Com 1, Com 2, Com 3, Com 4, Com 5)
Audio Inputs: 4 (Nav 1, Nav 2, ADF, DME)
Un-switched audio inputs: 2
Power Required: 11-33 VDC, 1.5 A
Power consumption: Speaker on, 600mA typ. 1A peak; Speaker off 350 mA
Output power: Speaker 10 W at 28 Vdc; 3W at 13.8Vdc into 4Ω load
Headphone: 50 mW into 150, <1% THD; 120 mW into 150, <10% THD
Audio Frequency Response: ±3dB, 350Hz-6,000Hz

Entertainment Frequency Response:
 ±3dB, 30 Hz-18,000 Hz
Weight: 0.8 lb.
Dimensions: 6.25" W x 1.3" H x 6.8" deep
 behind instrument panel
Environmental Conditions: DO-160D
 B1CABGMXXXXXXZBBATMXXE2XXX
Temperature Range: -20 C to +70,
 with brief operation at +85 C
Altitude: 25,000 feet, unpressurized

Model	Description	Part Number
PAC24	Audio Selector Panel	050-240-0100
PAC24 with Optional IRS	Same as above, with optional digital aircraft radio recorder	050-240-0200
PAC24 Observer	Audio Selector Panel for dual/Observer installation	050-240-0400
PAC24 Observer unit with IRS	Same as above with optional recorder	050-240-0401

PS Engineering, Inc. • 9800 Martel Road • Lenoir City, TN 37772

Phone (865) 988-9800 • FAX (865) 988-6619 • Internet www.ps-engineering.com