



9800 Martel Road

Lenoir City, TN 37772

www.ps-engineering.com

PMA8000E



Document P/N 200-890-0414

Rev. 8, April 2024

Audio Selector Panel with Marker Beacon Receiver
High-fidelity Stereo Intercom
Designed specifically for Dual Audio Panel Configurations
System Installation and Operation Manual
FAA- TSO C50c, C35d
EASA ETSO C50c, 2C35d
Patented under one or more of the following:
No. 4,941,187; 5,903,227; 6,160,496 and 6,493,450

In certified aircraft, warranty is not valid unless this product is installed by an Authorized PS Engineering dealer.

PS Engineering, Inc. 2024 ©
Copyright Notice
Any reproduction or retransmittal of this publication, or any portion thereof, without the expressed written permission of PS Engineering, Inc. is strictly prohibited. For further information contact the Publications Manager at PS Engineering, Inc., 9800 Martel Road, Lenoir City, TN 37772. Phone (865) 988-9800, email contact@ps-engineering.com.

Table of Contents

| | |
|--|-------------|
| Section I – GENERAL INFORMATION | 1-1 |
| 1.1 INTRODUCTION | 1-1 |
| 1.2 SCOPE | 1-1 |
| 1.3 EQUIPMENT DESCRIPTION | 1-1 |
| 1.4 APPROVAL BASIS | 1-2 |
| 1.5 SPECIFICATIONS | 1-3 |
| 1.6 EQUIPMENT SUPPLIED | 1-4 |
| 1.7 EQUIPMENT REQUIRED BUT NOT SUPPLIED | 1-4 |
| 1.8 OPTIONAL ITEMS | 1-4 |
| 1.9 LICENSE REQUIREMENTS | 1-4 |
| Section II - INSTALLATION | 2-1 |
| 2.1 GENERAL INFORMATION | 2-1 |
| 2.1.1 SCOPE..... | 2-1 |
| 2.1.2 CERTIFICATION REQUIREMENTS | 2-1 |
| 2.2 UNPACKING AND PRELIMINARY INSPECTION | 2-1 |
| 2.3 EQUIPMENT INSTALLATION PROCEDURES | 2-1 |
| 2.3.1 COOLING REQUIREMENTS | 2-1 |
| 2.3.2 MOUNTING REQUIREMENTS | 2-1 |
| 2.3.3 AUDIO PANEL MOUNTING RACK INSTALLATION | 2-1 |
| 2.3.4 AUDIO PANEL TRAY AND CONNECTOR ASSEMBLY | 2-2 |
| 2.4 CABLE HARNESS WIRING | 2-2 |
| 2.4.1 ELECTRICAL NOISE..... | 2-3 |
| 2.4.2 POWER | 2-3 |
| 2.4.3 AUDIO PANEL INTERFACE | 2-3 |
| 2.4.4 COCKPIT SPEAKER | 2-4 |
| 2.4.5 BACKLIGHTING..... | 2-4 |
| 2.4.6 UNSWITCHED INPUTS..... | 2-4 |
| 2.4.7 "SWAP" MODE | 2-4 |
| 2.4.8 BLUETOOTH TELEPHONE FUNCTION | 2-4 |
| 2.4.9 PUBLIC ADDRESS MODE..... | 2-5 |
| 2.4.10 PA MUTE (J2, PIN 12)..... | 2-6 |
| 2.4.11 MISCELLANEOUS LOGIC OUTPUT (J2, PIN 18) | 2-6 |
| 2.4.12 MARKER HIGH SENSITIVITY (J2 PIN 13) | 2-6 |
| 2.4.13 DUAL AUDIO PANEL CONNECTIONS | 2-6 |
| 2.4.14 CVR OUTPUT (J2, PIN 4) | 2-6 |
| 2.5 INTERCOM WIRING | 2-7 |
| 2.5.1 ENTERTAINMENT INPUTS..... | 2-7 |
| 2.5.2 ENTERTAINMENT MUTING | 2-7 |
| 2.5.3 PLAYBACK BUTTON INSTALLATION..... | 2-7 |
| 2.5.4 PASSENGER INTERCOM EXPANSION (INTELLIPAX)..... | 2-8 |
| 2.6 MARKER BEACON INSTALLATION | 2-8 |
| 2.6.1 MARKER ANTENNA INSTALLATION | 2-8 |
| 2.6.2 EXTERNAL MARKER LIGHTS | 2-8 |
| 2.6.3 MIDDLE MARKER SENSE | 2-8 |
| 2.6.4 MARKER SENSITIVITY SWITCH (J2 PIN 13)..... | 2-8 |
| 2.6.5 MARKER AUDIO INPUT | 2-8 |
| 2.7 ADJUSTMENTS | 2-8 |
| 2.7.1 INSTALLATION FUNCTION SELECTION | 2-9 |
| 2.8 COMMUNICATIONS ANTENNA INSTALLATION NOTES | 2-11 |
| 2.9 PMA8000E PIN ASSIGNMENTS | 2-12 |
| 2.10 WIRING CHECKOUT | 2-13 |
| 2.11 UNIT INSTALLATION | 2-13 |
| 2.12 OPERATIONAL CHECKOUT | 2-13 |

PS Engineering
PMA8000E Audio Selector Panel and Intercom System
Installation and Operator's Manual

2.12.1 REQUIRED TEST EQUIPMENT 2-13

2.12.2 AUDIO PANEL TEST 2-13

2.12.3 MARKER CHECKOUT 2-14

2.12.4 BLUETOOTH TELEPHONE CHECKOUT 2-14

2.12.5 INTERNAL RECORDER CHECKOUT 2-14

2.13 FINAL INSPECTION 2-14

Section III OPERATION 3-1

3.1 SCOPE 3-1

3.2 COMMUNICATIONS TRANSMIT (XMT) SELECTION (2)..... 3-1

3.1 COMMUNICATIONS RECEIVER (RCV) SELECTION (3) 3-1

3.2 AUDIO SELECTOR (4) 3-2

3.3 BLUETOOTH TELEPHONE..... 3-2

3.3.2 PASSENGER ON CELL PHONE..... 3-3

3.3.3 CELL PHONE SIDETONE 3-3

3.4 COCKPIT SPEAKER (5) 3-3

3.4.1 PUBLIC ADDRESS FUNCTION 3-3

3.5 MARKER BEACON OPERATION (9) (APPLIES TO -0514 -0515 -0524 & -0525 ONLY)..... 3-4

3.5.1 MARKER TEST AND MUTE..... 3-4

3.5.2 EXTERNAL MARKER AUDIO INPUT 3-4

3.6 INTERCOM OPERATION..... 3-4

3.6.1 INTELLIVOX® VOX-SQUELCH 3-4

3.6.2 INTERCOM VOLUME CONTROL (7) 3-5

3.6.3 INTERCOM MODES (8) 3-5

3.7 MUSIC AND MUSIC MUTING (6)..... 3-6

3.8 BLUETOOTH® INTERFACE 3-7

3.8.1 PAIRING AND UNPAIRING BLUETOOTH DEVICES 3-7

3.9 INTERNAL RECORDER AND PLAYBACK..... 3-7

Section IV – Warranty and Service 4-1

4.1 WARRANTY 4-1

4.2 FACTORY SERVICE..... 4-1

Appendix A – PMA8000E Installation DrawingsA

Appendix B –PMA8000E Radio InterconnectB

Appendix C – PMA8000E Audio InterconnectC

Appendix D – Instructions for FAA Form 337 and continuing airworthinessD

8.1 INSTRUCTIONS FOR FAA FORM 337, AUDIO PANELSE

8.2 INSTRUCTIONS FOR CONTINUING AIRWORTHINESS, AUDIO SYSTEME

Appendix E – RTCA DO160D Environmental Qualification Form.....E

| Rev | Date | Change |
|-----|---------------|---|
| 0 | March 2015 | Release of PMA8000E |
| 1 | August 2015 | Change Music behavior to turn music off when ISO mode is invoked on intercom §3.6.3 |
| 2 | May 2016 | Clarify Marker Audio Input for -0414 and -0415 versions (§2.6.5, §3.1.2) |
| 3 | March 2020 | Change Bluetooth ID |
| 4 | August 2020 | Add vertical versions and new back shell part numbers |
| 5 | August 2021 | Add details for Fail-Safe operation |
| 6 | June 2023 | Revise Installation Kit Contents |
| 7 | December 2023 | Clarified CVR and Bluetooth Phone information |
| 8 | April 2024 | Updated description of RTCA DO-160D Categories (Appendix E) |

Section I – GENERAL INFORMATION

1.1 INTRODUCTION

The PMA8000E represents another evolutionary step in cockpit audio control and intercommunications utility. Using our patented *IntelliVox*® design and pilot programmable configurations, this marks the next level of audio control. The unit is designed for outstanding ergonomics and visually defined mode annunciation and selection. The PMA8000E is specifically designed to be used in a dual audio panel environment, where the pilot and copilot positions have independent control over the radio audio control. The PMA8000E units communicate information between the units to make the operation logical and utilitarian and avoid operations that are inconsistent with radio and cockpit communication practices.

Before installing and/or using this product, please read this manual completely. This will ensure that you will take full advantage of all the advanced features in the PMA8000E.

1.2 SCOPE

This manual provides detailed installation and operation instructions for the PS Engineering PMA8000E-series of Audio Selector Panel/Intercom Systems. This includes the following units:

| Unit Part Number | Backlighting | Orientation | Marker Beacon | CVR Output |
|------------------|--------------|-------------|---------------|------------|
| 050-890-0414 | 14/28 VDC | Horizontal | No | Yes |
| 050-890-0415 | 5 VDC | Horizontal | No | Yes |
| 050-890-0514 | 14/28 VDC | Horizontal | Yes | Yes |
| 050-890-0515 | 5 VDC | Horizontal | Yes | Yes |
| 050-890-0524 | 14/28 VDC | Vertical | Yes | Yes |
| 050-890-0525 | 5 VDC | Vertical | Yes | Yes |
| 050-890-0526 | 14/28 VDC | Vertical | No | Yes |
| 050-890-0527 | 5 VDC | Vertical | No | Yes |

Each ship set requires two units and installation kits.

1.3 EQUIPMENT DESCRIPTION

The PMA8000E is a state-of-the-art audio isolation amplifier and audio selector that contains an automatic voice activated (VOX) intercom system and integral marker beacon receiver. It can switch three transceivers (COM 1, COM 2, COM 3) and six receivers (NAV 1, NAV 2, ADF, AUX (DME), and MKR).

The PMA8000E was designed specifically for installations requiring Dual Audio Panels, because the primary audio panel sends status information to the secondary audio panel to prevent undesirable operation modes such as simultaneous transmission on the same radio by both crew members, and primary control over the intercom modes.

A full duplex telephone interface allows the PMA8000E to act as an audio connection between aircraft headphone and microphones and specific aircraft approved (FAA/FCC) equipment with the Bluetooth® interface.

Warning: Use of non-aviation approved cellular telephone equipment may be prohibited by FCC regulation. PS Engineering is not responsible for unauthorized airborne use of cellular telephones. For airborne use, the PMA8000E must be interfaced with an approved system.

There are four unswitched inputs, available for traffic or EGPWS, autopilot disconnect, and/or radar altimeter warning. Unswitched input 3 is adjustable, see page § 2.4.8

Pushbuttons select the receiver audio source provided to the headphones. A SPR button allows the user to listen to the receiver(s) selected on the cabin speaker. Except for the unswitched inputs, all speaker audio is muted during transmit. Unswitched inputs 1, 3, and 4 are always presented to the aircraft speaker. Unswitched input 2 will be presented to the speaker when the SPR push button has been selected. Pushbutton switches select one of the communication transceivers.

PS Engineering
PMA8000E Audio Selector Panel and Intercom System
Installation and Operator's Manual

A fail-safe mode connects the crewmembers' headphone and microphone to COM 1 and Unswitched #1 if power is removed for any reason, or if the power switch is placed in the Off (Fail-safe) position.

NOTE: Both crew members are connected to COM 1 in fail-safe. There is no priority, and in some cases microphone loading may make it necessary to unplug one crew member's microphone for optimum transmission quality.

Unswitched #1 will only be heard if stereo headsets are used.

A voice activated (VOX) intercom is included in the PMA8000E. This system has PS Engineering's patented *IntelliVox*® circuitry that eliminates manual adjustments. The intercom system incorporates pilot isolate, all, and crew modes, two independent stereo music inputs with "SoftMute™". Intercom volume control is through two concentric front panel knobs and a pushbutton intercom mode switch. The small volume knob controls the intercom level for the pilot and copilot, while the large knob on the copilot audio panel controls the passenger intercom volume. Intercom squelch is automatic.

A 3-light, 75 MHz Marker Beacon receiver is integrated in certain versions of the PMA8000E (-0514, -0515). This provides the necessary Marker Beacon lights and audio indications necessary for that portion of an Instrument Landing System (ILS) approach. A pushbutton labeled MKR allows the pilot select high or low sensitivity as well as test and mute modes.

In the PMA8000E, a Bluetooth® wireless interface is available for wireless telephone and music connection.

1.4 APPROVAL BASIS

FAA TSO Approval.

The PMA8000E-series Audio Selector Panels are FAA accepted under TSO C50c (Audio Amplifiers) and TSO C35d (Marker Beacon Receivers), ETSO C50C/ and 2C53d.

All systems comply with relevant portions of EUROCAE RTCA MPS WG No. 7/70, DO-143 and (*Marker Beacon Receivers*), ED-14C/DO-160C (*Environmental Conditions and Test Procedures for Airborne Equipment*), ED12B/DO-178B, Level D (*Software Considerations for Airborne Equipment*) and ED- 18/DO-214 (*Audio Systems Characteristics and Minimum Operational Performance Standards for Aircraft Audio Systems*).

Operation is subject to the following conditions:

This device may not cause harmful interference.

This device must accept any interference received, including interference that may cause undesired operation.

1.5 SPECIFICATIONS

| TSO COMPLIANCE | |
|--------------------------------------|--|
| <i>Marker Beacon:</i> | FAA TSO C35d, Class A ETSO 2C35d |
| <i>Audio Selector/Intercom:</i> | FAA TSO C50c, Class 1a ETSO C50c |
| APPLICABLE DOCUMENTS: | RTCA/DO-214 RTCA/DO-143 RTCA/DO-160D RTCA/DO-178B DO-254 |
| ENVIRONMENTAL Qualifications: | A1D1CABSMXXXXXXZBABATBXXE2XXX |
| <i>Operating Temperature Range:</i> | -15° C to 55° C |
| <i>Altitude:</i> | Up to 50,000 feet in a non-pressurized area |
| DIMENSIONS: | Height: 1.3 in. (3.3 cm) Width: 6.25 in. (16.9 cm) Depth behind panel 7.15 in. (18.16 cm) |
| WEIGHT | |
| <i>PMA8000E Unit</i> | 1.34 lb. (0.61 kg) |
| <i>Rack with connectors</i> | 0.51 lb. (0.24 kg) |

| POWER REQUIREMENTS (Including Internal Lighting): | |
|--|--|
| <i>Voltage:</i> | 11 to 33 VDC |
| <i>Maximum Current:</i> | 2.5 Amp (Externally protected by a 5A pull-type breaker) |

| Audio Selector Specifications | |
|---|--|
| <i>Audio selector panel input impedance:</i> | 510 Ω |
| <i>Input Isolation:</i> | -60 dB (min.) |
| <i>Speaker Muting:</i> | -60 dB (min.) |
| <i>Speaker Output (into 4 Ω) with no clipping</i> | |
| 14 VDC: | 3 Watts (min.) |
| 28 VDC: | 10 Watts (min.) |
| <i>Receiver Inputs:</i> | 9 (COM 1, COM 2, COM 3, NAV 1, NAV 2, ADF, DME, MKR, AUX) |
| <i>Unswitched Inputs:</i> | 4 |
| <i>Transmitter Selections:</i> | 6 (COM 1, COM 2, COM 3 Com1/2 COM 1/3, COM 2/3) |
| <i>Speaker Impedance:</i> | 4 Ω |
| <i>Headphone Impedance:</i> | 150 – 1000 Ω |
| <i>Headphone Output:</i> | 38 mW each headset, no clipping <1% THD typical |
| <i>Microphone Impedance:</i> | 150 - 600 Ω |
| <i>Bluetooth Radio (PMA8000E -0304 only)</i> | Class 3, FCC ID QQQWT32i |
| Intercom Specifications | |
| <i>Intercom Positions:</i> | 6 places (with individual <i>IntelliVox</i> ® circuits) |
| <i>Music Inputs:</i> | 2, (Independent, Stereo) |
| <i>Music Muting:</i> | >-30 dB "Soft Mute" when COM or intercom active. |
| <i>Distortion:</i> | <1% THD @ 38 mW into 150 Ω |
| <i>Mic Freq. Response, 3 dB:</i> | 300 Hz - 6000 Hz |
| <i>Music Freq. Response, 3 dB:</i> | 10 Hz – 26 kHz |
| MARKER BEACON RECEIVER (-0514 & -0515): | |
| <i>Frequency:</i> | 75 MHz Crystal Controlled |
| <i>Sensitivity:</i> | Capable of: (preset at factory for field application) |
| Low: | 1000 μ Volts (Hard) (360 to 570 μ V soft) |
| High: | 200 μ Volts (Hard) (130 to 200 μ V soft) |
| <i>Selectivity:</i> | -6 dB at \pm 10 kHz -40 dB at \pm 120 kHz |
| <i>External Lamp Output:</i> | 7.5 (\pm 4 VDC unloaded, at maximum brightness) VDC positive when active, max. current 125 mA |
| <i>MM Sense:</i> | Active high (4.5 \pm 1.0VDC) |

1.6 EQUIPMENT SUPPLIED

One ship set includes 2 ea. of the following units:

| Model | Description | Part Number |
|----------|---|--------------------|
| PMA8000E | Stereo Audio Selector Panel, Bluetooth® interface and Internal Recorder System. NO Marker Beacon . This supports three com transceivers. Designed specifically for Dual Audio Panel Installation. | 2 ea. 050-890-0414 |
| PMA8000E | Same as above, with 5VDC backlighting | 2 ea. 050-890-0415 |
| PMA8000E | Stereo Audio Selector Panel with Marker Beacon , Bluetooth® interface and Internal Recorder System. This supports three com transceivers. Designed specifically for Dual Audio Panel Installation. | 2 ea. 050-890-0514 |
| PMA8000E | Same as above, with 5VDC backlighting | 2 ea. 050-890-0515 |
| PMA8000E | Same as -0514, in vertical orientation | 2 ea. 050-890-0524 |
| PMA8000E | Same as -0515, in vertical orientation | 2 ea. 050-890-0525 |
| PMA8000E | Same as -0414, in vertical orientation | 2 ea. 050-890-0526 |
| PMA8000E | Same as -0415, in vertical orientation | 2 ea. 050-890-0527 |

PMA8000E Installation Kit: 250-890-0500 (2 kits required for dual installation)

| Description | Quantity | Part Number |
|--------------------------------------|----------|--------------|
| Installation rack assembly | 1 | 430-890-0040 |
| Rack back plate | 1 | 430-890-0050 |
| 44-pin connector kit | 2 | 120-891-2045 |
| Back shell, bottom | 2 | 625-025-1131 |
| Back shell cover | 2 | 625-025-1132 |
| Strain Relief | 4 | 425-149-1179 |
| Zip Ties | 2 | 800-000-0004 |
| 2-56 X 3/8 screw for connector shell | 8 | 475-049-3189 |
| 4 40 X 7/16 screw w/nylon patch | 4 | 475-440-0007 |
| 4 40 X 3/8 screw w/nylon patch | 4 | 475-440-1038 |
| 4-40 x 1/4" screw with lock washer | 2 | 475-440-0001 |
| Grounding Solder Lug | 2 | 475-009-0001 |
| Cable Clamp | 1 | 625-001-0002 |
| #6-32 x 1/2" Flat head Philips screw | 6 | 475-632-0012 |
| #6-32 Clip Nut | 6 | 475-630-0002 |

1.7 EQUIPMENT REQUIRED BUT NOT SUPPLIED

- a. Circuit Breaker: 1 ea.; 5 amp PULL TYPE REQUIRED for PMA8000E
- b. Speaker, 4 Ω
- c. Headphone Jacks (Stereo, as Required)
- d. Microphone Jacks (as Required)
- e. Headphones, 150 Ω (Stereo), up to 6 as required
- f. Microphones, up to 6 as required
- g. Marker Antenna (75 MHz, VSWR <1:1.5, and appropriate for the airspeed)
- h. Interconnect Wiring

1.8 OPTIONAL ITEMS

- a. Passenger intercom unit, IntelliPAX, if desired 11636 Remote

1.9 LICENSE REQUIREMENTS

None

PMA8000E Bluetooth™ Radio approval:

- FCC ID: QOQWT32I
- Industry Canada ID: 5123A-BGTWT32I
- CE EMC Directive 89/336/EEC as amended by Directives 92/31/EEC and 93/68/EEC

Section II - INSTALLATION

2.1 GENERAL INFORMATION

2.1.1 SCOPE

This section provides detailed installation and interconnection instructions for the PS Engineering PMA8000E Audio Selector Panel/Intercom/ with internal Marker Beacon.

Please read this manual carefully before beginning any installation to prevent damage and post-installation problems. **Installation of this equipment requires special tools, test equipment (refer to section 2.12.1) and knowledge as required by 14 CFR 65.81 (b).**

2.1.2 Certification Requirements

NOTE

The PMA8000E requires specialized knowledge and tools for an effective installation. An appropriately rated Certified Aircraft Repair Station **must** install this equipment in accordance with applicable regulations. PS Engineering, Incorporated warranty is not valid unless the equipment is installed by an authorized PS Engineering, Incorporated dealer.

Failure to follow any of the installation instructions, or installation by a non-certified individual or agency will void the warranty and may result in an **unairworthy** installation.

2.2 Unpacking and Preliminary Inspection

Use care when unpacking the equipment. Inspect the units and parts supplied for visible signs of shipping damage. Examine the unit for loose or broken buttons, bent knobs, etc. Verify the correct quantity of components supplied with the list in Section 1.6. If any claim is to be made, save the shipping material, and contact the freight carrier. Do **NOT** return units damaged in shipping to PS Engineering. If the unit or accessories show any sign of external shipping damage, contact PS Engineering to arrange for a replacement. Under no circumstances attempt to install a damaged unit in an aircraft. Equipment returned to PS Engineering for any other reason should be shipped in the original PS Engineering packaging, or other UPS approved packaging.

2.3 Equipment Installation Procedures

2.3.1 Cooling Requirements

Forced air-cooling of the PMA8000E is not required. However, the units should be kept away from heat producing sources (i.e. defrost or heater ducts, dropping resistors, heat producing avionics) without adequate cooling air provided.

2.3.2 Mounting Requirements

Each PMA8000E must be rigidly mounted to the instrument panel of the aircraft structure, within view and reach of the flight crew position. Installation must comply with FAA Advisory Circular AC 43.13-2B, or other FAA-approved aircraft technical data. The unit may be mounted in any area where adequate clearance for the unit and associated wiring bundle exist.

To prevent noise, avoid installing the unit close to high current devices or systems with high-voltage pulse type outputs, such as DME or transponders. Avoid running the interconnecting bundles near any high current wires.

2.3.3 Audio Panel Mounting Rack Installation

Remove the unit from the mounting tray by unscrewing the 3/32" hex-head screw that is in the center of the unit. Use caution to avoid hitting the photo-detector lens which is located directly above the hex-head screw. Carefully slide the unit free of the tray. Set the unit aside in a safe location until needed. Install the tray using six #6-32 clip nuts (475-630-0002), and six FHP #6-32 x 1/2" screws (475-632-0012). The audio selector panel must be supported at front and rear of the mounting tray.

2.3.4 Audio Panel Tray and Connector Assembly

The rack back plates mate with two 44-pin connectors in each PMA8000E. The connectors are a sub-miniature crimp-type, and require the use a hand crimp tool, from table below (or equiv.). The 44 pin connectors are mounted to the tray back plate (430-890-0050) with quantity 4, #4-40 x 3/8" screws (475-440-1038). Ensure that proper strain relief and chafing precautions are made during wiring and installation, using the cable clamp (625-001-0002).

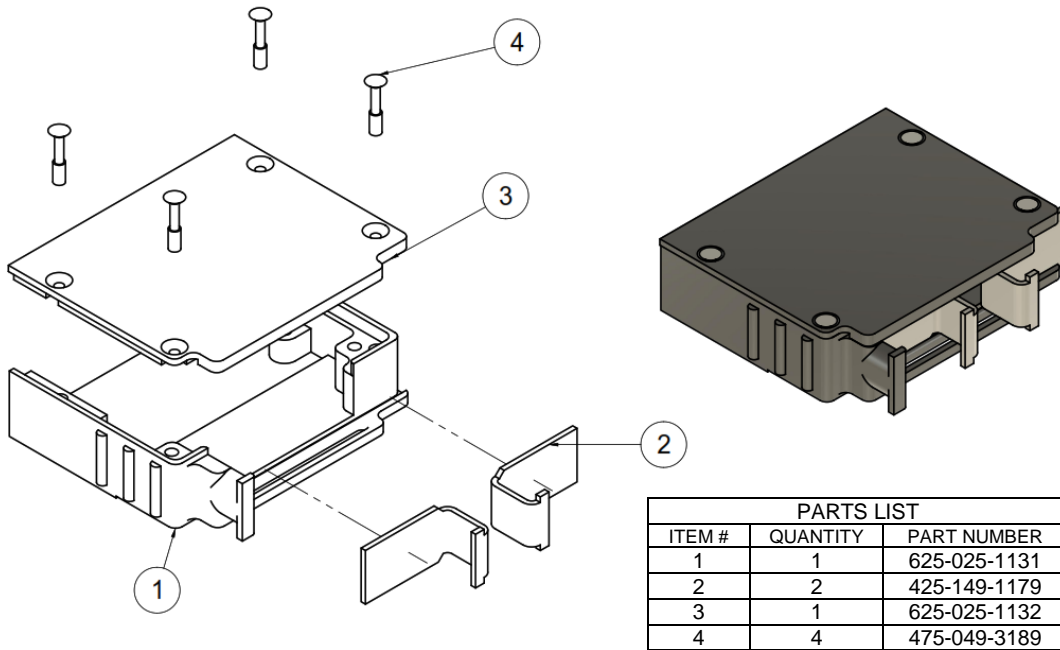
Two grounding solder lugs are provided (475-009-0001) for each unit, which may be attached to the rear mounting plate with 2 ea. #4-40 x 1/4" (475-440-0001) screws with captivated lock washers. These provide a convenient location to connect the shield ground terminations.

| Manufacturer | Crimping Tool | Positioner | Extraction tool |
|--------------|---------------|--------------|-----------------|
| AMP | 601966-1 | 601966-6 | 91067-1 |
| Daniels | AFM8 | K42 | M24308-1 |
| ITT-Cannon | 995-0001-584 | 995-0001-739 | 91067-1 |

Table 2-1 Connector Pin crimping tools

The connector back shell is two pieces, (625-025-1131 and cover 625-025-1132) held together by 4 #2-56 screws This allows the back shell to be installed after the connector is populated.

Assemble the connector back shell by attaching the top and bottom using 4 ea. #2 x 56 Phillips screws (475-049-3189) and the two "J" strain relief sliders (425-149-1179) in the slot provided. Secure the cable bundle between the back shell and the sliders with Zip tie. The connectors are mounted to the tray back plate with #4-40 screws (475-440-1038), from the inside of the tray. Ensure that proper strain relief and chafing precautions are made during wiring and installation, using the cable clamp (625-001-0002).



2.4 Cable Harness Wiring

Referring to the appropriate Appendix, assemble a wiring harness as required for the installation. All wires must be MIL-SPEC in accordance with current regulations. Two- and three-conductor shielded wire must be used where indicated and be MIL-C-27500 or equivalent specification. Proper stripping, shielding and soldering technique must be used at all times. It is imperative that correct wire be used.

Refer to FAA Advisory Circular 43.13-2B for more information. Failure to use correct techniques may result in improper operation, electrical noise, or unit failure. Damage caused by improper installation will void the PS Engineering warranty.

2.4.1 Electrical Noise

Due to the variety and the high power of radio equipment often found in today's general aviation aircraft, there is a potential for both radiated and conducted noise interference.

The PMA8000E power supply is specifically designed to reduce conducted electrical noise on the aircraft power bus by at least 50dB. Although this is a large amount of attenuation, it may not eliminate all noise, particularly if the amplitude of noise is very high. There must be at least 13.8 VDC present at the connector, J2 pins 8 & 9, of the PMA8000E for the power supply to work in its designed regulation. Otherwise, it cannot adequately attenuate power line noise. Shielding can reduce or prevent radiated noise (i.e., beacon, electric gyros, switching power supplies, etc.) However, installation combinations can occur where interference is possible. The PMA8000E was designed in an RFI hardened chassis and has internal Electromagnetic Interference (EMI) filters on all inputs and outputs.

Ground loop noise occurs when there are two or more ground paths for the same signal (i.e., airframe and ground return wire). Large cyclic loads such as strobes, inverters, etc., can inject noise signals onto the airframe that are detected by the audio system. Follow the wiring diagram very carefully to help ensure a minimum of ground loop potential. Use only Mil Spec shielded wires (MIL-C-275000, or better). Under no circumstances combine a microphone and headphone wiring into the same shielded bundle. Always use a 2- or 3-conductor, shield wire as shown on the installation-wiring diagram.

The shields can be daisy-chained together, and then connected to the ground lugs mounted on the back plate shown in Appendix B.

Radiated signals can be a factor when low level microphone signals are "bundled" with current carrying power wires. Keep these cables physically separated. It is very important that you use insulated washers to isolate the ground return path from the airframe to **all** headphone and microphone jacks.

2.4.1.1 Music Inputs and Noise

PMA8000E units utilize a differential input to help prevent noise from entering the music system. This feature is usually transparent to the installer; however, it is important that the appropriate music signal and ground connections are made directly to the dedicated music signal and ground inputs on the PMA8000E. The power for IFE and audio panel should be a common bus.

If a music jack instead of a music source is installed for Music 1 or 2, we recommend grounding the jack to airframe ground.

NOTE

Adding a high-performance audio control system, particularly in conjunction with high-performance active noise canceling headsets, cannot improve on older avionics that were designed for cabin-speaker use. PS Engineering makes no claim that the audio panel will provide a noise-free audio quality under all installation conditions, particularly with older avionics.

2.4.2 Power

The PMA8000E is compatible with both 14- and 28-Volt DC systems. A five (5) Amp circuit breaker is required for all installations. Power and ground wires should be #22 connected to J2 Pins 8 and 9 on each audio panel. Connect airframe ground to J2 Pin 10 and 11 only, in each audio panel. No dropping resistors are required.

2.4.3 Audio Panel interface

The PMA8000E is designed to interface with standard aircraft avionics, with a 510Ω receiver impedance. For best results, a twisted-shielded cable is recommended from the avionics audio source to the audio panel, with the shield grounded at the audio panel end.

Some avionics do not provide a separate audio low and may introduce additional electrical noise into the system. For best results, connect the audio low from the audio panel to the radio ground, using one conductor of the twisted-shielded cable.

2.4.4 Cockpit Speaker

Each PMA8000E contains a cockpit speaker amplifier. Any radio audio source will be presented to the cockpit speaker when the SPR button is selected.

NOTE: Do NOT connect both audio panels directly to a single cockpit speaker. This could damage the audio panel. A dedicated cockpit speaker is recommended for each audio panel.

2.4.5 Backlighting

The PMA8000E has an automatic dimming of the pushbutton green annunciation LEDs and marker lamps controlled by a photocell. Control of the unit white backlighting is through the aircraft avionics dimmer. For 14 V (or 5 VDC p/n 050-890-0415, only) aircraft, connect J2 Pins 6 and 7 to the aircraft dimmer bus, and pin 5 to ground. For 28-volt systems, connect pin 7 to the aircraft dimmer, and pins 5 and 6 to ground.

2.4.6 Unswitched inputs

PMA8000E, J1, pins 31, 29 and J2 pin 15 are unswitched, unmuted (by transmitter keying), inputs # 1, 3 and 4, respectively. These inputs are presented to the pilot audio panel and copilot audio panel regardless of the audio configuration and will always mute the entertainment inputs. These 510Ω inputs can be used for altimeter DH audio, GPS waypoint audio, and autopilot disconnect tones, or any other critical audio signal. Unswitched #1 is always present to the speaker and crew headphones Unswitched 3 and 4 inputs are always presented to the crew headphones and to the aircraft speaker.

| Unswitched Input | Hear in Fail Safe | Hear in Crew Headset | SPR button Select | Gain |
|------------------|-------------------|----------------------|-------------------|------------|
| 1 | Yes | Yes | No | 1:1(fixed) |
| 2 | No | Yes | Yes | 1:1(fixed) |
| 3 | No | Yes | No | Adjustable |
| 4 | No | Yes | No | 1:1(fixed) |

Table 2-2 Unswitched input table

Unswitched #2, J1 pin 44 is unswitched is always connected to the crew member's headphone. However, this unswitched audio is only presented to the aircraft speaker when the SPR push button has been selected.

The audio low for unswitched #4 (J2, pin 15) should be connected to a convenient audio low. However, this should NOT be connected to Music Low.

NOTE

Inputs 1, 2 and 4 are fixed (1:1), and any audio level adjustments must be made at the input source. Unswitched #3 has a variable adjustment control located on the bottom side of the unit. This control allows you to adjust the volume level of that unswitched input. Refer to Adjustments section.

2.4.7 "Swap" Mode

When a momentary, normally open, push-button switch is connected between pin 20 on the J2 connector and aircraft ground, the user can switch between COM 1, COM 2 and COM 3 by pressing this switch without having to change the xmt selector on the audio panel. This yoke-mounted switch eliminates the need to remove your hands from the yoke to change transceivers. The transfer of TX indication from COM 1 to COM 2 and COM 3 shows that the swap has been initiated.

Swap selection of COM 3 (COM 1, COM 2, COM 3, or COM 1 and COM 2 only) is a user-selectable option. Holding the remote "swap" button, press and release the COM 3 RCV button to enable or disable the COM 3 in the swap rotation.

2.4.8 Bluetooth Telephone Function

The PMA8000E is compatible with most Bluetooth® enabled devices for making and receiving telephone calls through the aircraft audio system.

The pilot's Bluetooth device is presented to the pilot's audio panel (PMA8000E Pilot) only. Music and telephone are not shared.

The copilot's Bluetooth device is presented to the copilot's audio panel (PMA8000E Copilot) and provided music for the copilot and any passengers that may be connected to an intercom expansion unit. The copilot's cellular telephone can also be shared with the pilot. See § 3.4.

2.4.8.1 Cell phone Sidetone

As shipped from PS Engineering, the PMA8000E provides cellular telephone sidetone (the user's voice fed back to the headset). Some cell phones do provide sidetone. In PMA8000E audio panels, Telephone sidetone can be disabled by pressing the AUX button for more than one second. **NOTE: This will not provide** cellular telephone sidetone in ISOLATE intercom mode, because the intercom signal is not available to the pilot.

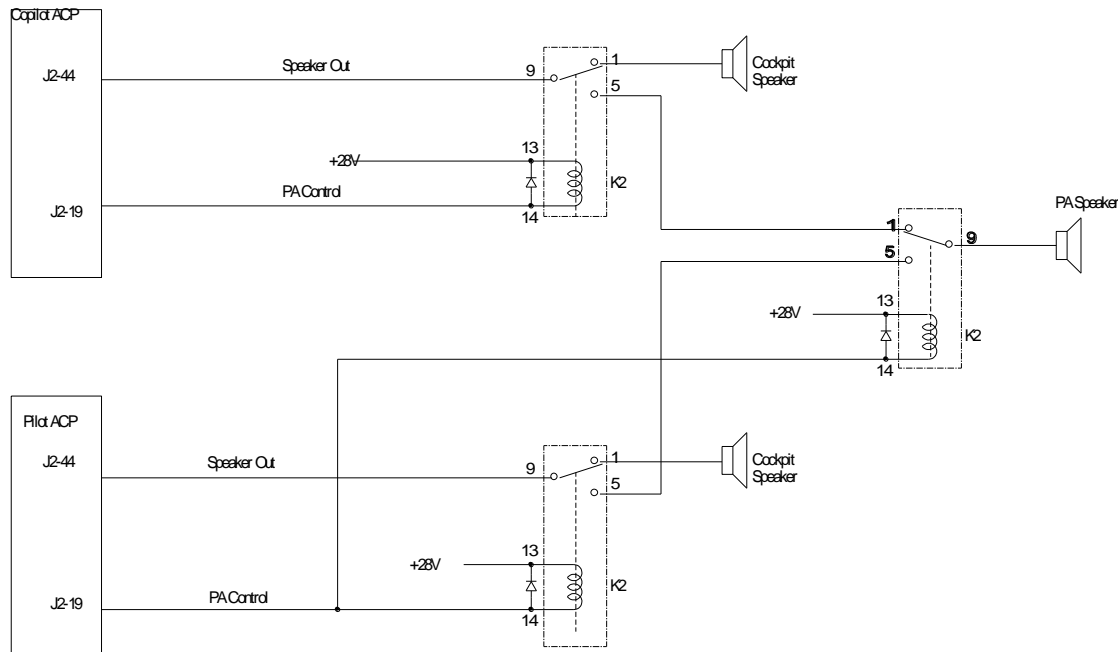
NOTE

Unauthorized use of unapproved cellular telephone devices in aircraft is subject to FCC enforcement action, which may include a \$10,000 fine per incident.
FCC Regulation 47 CFR § 22.925 *Prohibition on airborne operation of cellular telephones.*
Cellular telephones installed in or carried aboard airplanes, balloons or any other type of aircraft must not be operated while such aircraft are airborne (not touching the ground). When any aircraft leaves the ground, all cellular telephones on board that aircraft must be turned off.
PS Engineering, Inc. does not endorse using unapproved cellular telephone equipment in flight and takes no responsibility for the user's action.
PS Engineering does not guarantee compatibility with personal cellular telephones. For a list of phones that have been tested, visit <http://www.ps-engineering.com/support>.

2.4.9 Public Address Mode

By pressing SPR pushbutton for more than one second, the PMA8000E will be placed into public address (PA) mode. In this mode, the crewmember on that audio panel will be talking over the cockpit speaker when he presses his PTT switch.

When the Public Address is enabled, J2 Pin 19 will go low, providing a logic level that can be used to incorporate a speaker-switching scheme. This 50 mA circuit (10Ω Z) can control a switching means such as a relay that would transfer the speaker output amplifier from the cockpit speaker to drive another cabin speaker. If the PA mode is used with a microphone in proximity to an active cockpit speaker, feedback might result.



2-1 Public Address Switching Relay example

NOTE: Do NOT connect both audio panels directly to a single PA speaker. This could damage the audio panel.

2.4.10 PA Mute (J2, Pin 12)

Pin 12 of J2 is a TTL logic *output* that is pulled low during PTT operation.

2.4.11 Miscellaneous Logic Output (J2, Pin 18)

Pin 18 of the J2 connector is pulled to ground whenever the AUX button is depressed. This serves as a control line for external devices that the pilot wishes to control.

2.4.12 Marker High Sensitivity (J2 Pin 13)

The PMA8000E defaults to LOW marker sensitivity of 1000 μ Volts. If High marker beacon sensitivity is desired, J2 Pin 13 can be connected to ground (or J2 pin 14), through a switch, to set the marker beacon threshold sensitivity to 200 μ Volts.

2.4.13 Dual Audio Panel Connections

The PMA8000E has specific interconnection between the two audio panels, which we refer to as Pilot's, or Primary; and Copilot's, or Secondary.

2.4.13.1 Crosstie (x-tie) Audio

Audio cross tie containing the other crewmember and passenger intercom, as appropriate selected by intercom mode, is transferred between audio panels on J2, Pin 3 (audio output to the other audio panel) and J2 Pin 32 (Audio input from the other audio panel). Connect Pins 2 to 32 on the other panel.

2.4.13.2 Serial Data (J2 Pins 24 & 26)

A serial communication bus communicated mode information between the primary and secondary panels. J1 Pins 24 and 26 are the serial data connections. Connect Pin 24 (Data +) to Pin 24 on the other panel, and Pin 26 to Pin 26 (Data -).

2.4.13.3 PTT Sense

Each audio panel needs to know if the other unit is transmitting. The J2, Pin 33 on each audio panel senses that the other crew member is transmitting and will block any attempt by the copilot's panel to simultaneously transmit on the same radio as the pilot.

2.4.13.4 Secondary Audio Panel Strap (J2, Pin 17)

This pin is permanently connected to ground and determines which panel is considered the secondary (or copilot's). This strap must be installed on the copilot box *only* for proper operation.

NOTE: The pilot and copilot PMA8000E units are interchangeable because this pin alters the functionality of the unit installed in that position.

2.4.14 CVR Output (J2, Pin 4)

The PMA8000E contains an output for Cockpit Voice Recorder. This audio output contains the intercom audio presented to the crewmember associated with the audio panel, as well as the selected radio audio and unswitched audio. This audio output is compliant with 14 CFR §23.1457 and §25.1457 (a)(1), (3), (4), and (5). It contains switched com & nav audios, that are not variable from the audio panel, fixed unswitched audio, as well as pilot & copilot intercom audio, which varies with the ICS volume and tracks the ISO/ALL/Crew mode selector.

2.4.14.1 CVR Output (Serial Number, FD1623 and above)

Pilot CVR

- Pilot microphone audio will be fixed and not vary with the intercom volume control.
- All other intercom audios will vary with the intercom volume control.
- All comm audio will be fixed.

Copilot CVR

- Copilot microphone audio will be fixed and not vary with the intercom volume control.
- All other intercom audios will vary with the intercom volume control.
- All comm audio will be fixed.

2.5 Intercom wiring

See Appendix C and D for intercom connection configurations. It is critical to the proper operation of this system to have this connector wiring made in accordance with these diagrams. Use 2- and 3-conductor, MIL-spec cable as shown. Connect the shields at the audio panel end only, and tie to the audio low inputs as shown.

2.5.1 Entertainment Inputs

The PMA8000E incorporates a four-mode "Soft Mute™" system. This will mute the entertainment devices during ICS and/or radio conversation. See [Section 3.8](#) for more information.

Press the **Mute** switch to activate the Karaoke mode for the crewmember connected to the audio panel (disabling crew SoftMute™). Turning down the entertainment volume allows the pilot to place the entertainment into the background while having the radios in the foreground and eliminates the constant interruption of the music while still keeping the radios a priority.

NOTE

Use the low-level output of any additional entertainment device to connect to the audio panel. Maximum signal level is **3 VAC** p-p. **DO NOT** use a speaker-level output; this will cause internal damage in the audio panel.

2.5.1.1 Pilot, Copilot, and Passenger music

In a dual installation, the Pilot audio panel has music input from the rear connector (Entertainment. #1 Audio), and Bluetooth® input. This is only Music #1 and localized to the Pilot's audio panel.

The Copilot's audio panel has inputs from Music 1 and Music 2. Music input 1 can be heard by the copilot. Music input 2 can be heard by the passengers only.

2.5.2 Entertainment muting

The PMA8000E-system incorporates a "Soft Mute™" system. This will mute the entertainment devices during ICS or radio conversation. See [Section 3.8](#) for more information.

Press the **Mute** switch to activate Karaoke mode (disabling crew SoftMute™). Turning down the entertainment volume allows the pilot to place the entertainment into the background while having the radios in the foreground and eliminates the constant interruption of the music while still keeping the radios a priority.

CAUTION

Local oscillators and internal signals from entertainment equipment can cause undesired interference with other aircraft systems. Before takeoff, operate the entertainment devices to determine if there is any adverse effect within the aircraft systems. If any unusual operation is noted in flight, immediately switch off the entertainment devices.

All additional entertainment devices must be switched off for both takeoff and landing.

When the intercom is put into the ISO Mode, music will be stopped.

2.5.2.1 Annunciation and recorder playback

The pilot and copilot can hear the Function Key annunciations. If the customer wants to exclude playback and function key annunciation playback from the copilot position, contact PS Engineering for more information.

2.5.3 Playback Button Installation

Internal Recorder can be played back from the front panel. A remote momentary, normally open (NO) push button switch may be installed if desired. This will allow you to remotely activate the Recording System playback. This switch can be located anywhere in cockpit convenient to the pilot's reach. The NO switch

should be connected to pin 22 of J2 of the PMA8000E, and ground. When installed, this button will act as in § 3.13.

2.5.4 Passenger Intercom Expansion (IntelliPAX)

The PMA8000E can support one or two, six-place intercom expansion units (PS Part Number 11636R), for up to 12 passengers. These expansion units are connected to the copilot's PMA8000E.

In the dual installation with expansion, the passengers can speak to each other at all times, and the intercom mode control allows for intercom communications with the copilot or both crew members. See section 3.7.3 for operating information.

2.6 Marker Beacon Installation

PMA8000E units with part numbers 050-890-0514 and -0515 contain a 75 MHz Marker beacon receiver/indicator.

2.6.1 Marker Antenna Installation

A marker beacon antenna, appropriate to the type and speed of the aircraft, is required (not included). Refer to aircraft and antenna manufacturer's installation instructions, as well as AC43.13-2B (or later revision), Chapter 3, for information on proper antenna installation techniques. The marker beacon antenna must be mounted on the bottom of the aircraft.

2.6.2 External Marker Lights

For installations that require external marker beacon lights, there are three outputs that can drive 12-Volt lamps only. The external output lamps are driven high (typically +7.0 VDC \pm 4.0 VDC unloaded, at MAX brightness) when active. Maximum source current per lamp is 125 mA. Voltage varies with photocell dimming.

2.6.3 Middle Marker Sense

A Middle Marker Sense output signal is available from the PMA8000 to certain flight control systems. This function will not operate during the test mode. This output will go to +4.5 VDC (\pm 1.0 VDC) when a valid Middle Marker signal is received. This output is J1, pin 39.

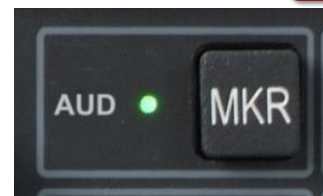
2.6.4 Marker Sensitivity switch (J2 Pin 13)

The PMA8000E defaults to LOW marker sensitivity of 1000 μ Volts. If High marker beacon sensitivity is desired, J2 Pin 13 can be connected to ground (or J2 pin 14), through a switch, to set the marker beacon threshold sensitivity to 200 μ Volts.

NOTE: J2 Pin 13 must be connected if Marker High Sensitivity is desired

2.6.5 Marker Audio Input

For units without the internal receiver (050-890-0414 and -0415) and audio signals from external marker receivers can be input to J1-21 with respect to J1-22. This will appear in the headset output when the MKR button is pressed.



2.7 Adjustments

The PMA8000E is factory adjusted to accommodate the typical requirements for most aircraft configurations. There are three adjustments in the top cover that allow the installer to tailor the specific functions.

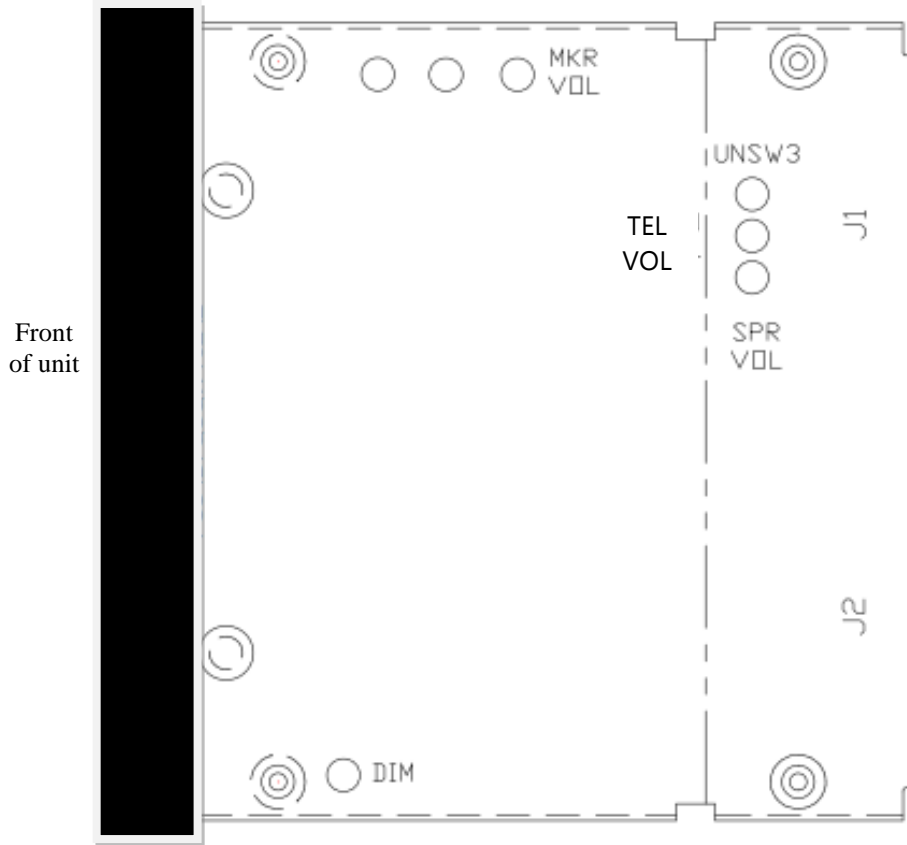


Figure 2-2- PMA8000E Adjustments, top cover

- Speaker Volume [SPR VOL] – Turn adjustment clockwise to increase cabin speaker output.
- Marker Beacon Volume [MKR VOL] –, turn adjustment counterclockwise to increase marker beacon audio level.
- Telephone Volume [TEL VOL] – Function Mode Annunciation Volume – controls the level of the voice annunciations contained in the unit).
- Unswitched Input 3 Volume [UNSW 3] – adjust from 50% to 200% of input value.

2.7.1 Installation Function Selection

There are certain functions that can be activated at installation.

- Public Address Trigger activation ([See §2.4.9](#))
- Artificial sidetone activation (audio panel provides sidetone when radios do not),

Top access the DIP switches, a removable sticker is removed from the bottom of the unit.

1. Remove the sticker from the bottom of the unit and retain for reuse.

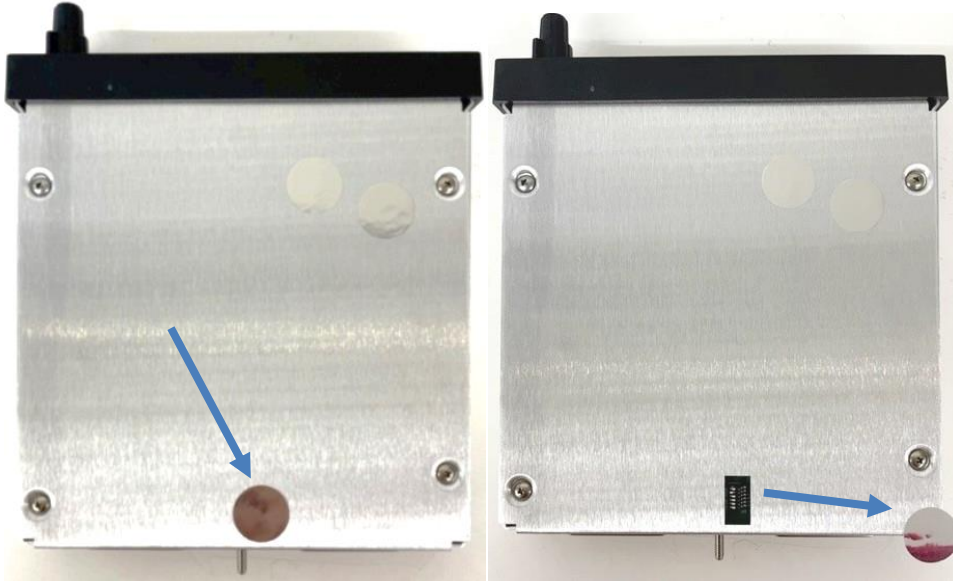


Figure 2-3 – DIP Switch location (bottom cover sticker removed)

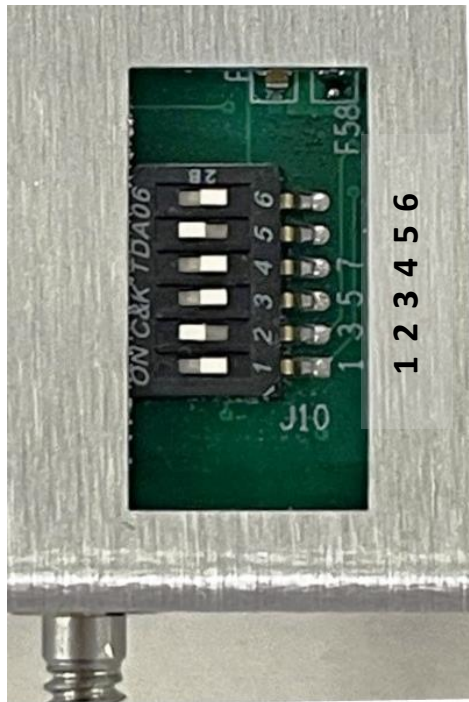


Figure 2-4 - J10 DIP Switches

- 1- Must be **ON**
- 2- PA Trigger Active switch to **ON**
- 3- Not used
- 4- Not used
- 5- Artificial Sidetone switch to **OFF**
- 6- Not used

Replace the sticker after making the changes.

2.8 Communications Antenna Installation Notes

For best results while in Split Mode, it is recommended that the one VHF communications antenna is located on top of the aircraft while the other communications antenna is installed on the bottom. Any antenna relocation must be accomplished in accordance with AC 43.13-2B, aircraft manufacturers' recommendations and FAA-approved technical data.

WARNING

It is probable that radio interference will occur in the split mode when the frequencies of the two aircraft radios are adjacent, and/or the antennas are physically close together. **PS Engineering makes no expressed or implied warranties regarding the suitability of the PMA8000E in Split Mode.**

2.9 PMA8000E Pin assignments

| J1 | Function | J2 | Function |
|----|------------------------------|----|---|
| 1 | MKR Ant | 1 | Pilot Phones Low |
| 2 | MKR Ant Low | 2 | No Connect |
| 3 | Com 3 Audio Hi | 3 | X-tie Audio Out |
| 4 | COM 3 Low | 4 | CVR Audio Out (Hi) |
| 5 | COM 3 Mic Audio Hi | 5 | Lights Low |
| 6 | COM 3 Mic Key | 6 | 14V/5V Lights Hi//28 V Lights Low |
| 7 | ADF Audio In | 7 | 14/28/5 V Lights Hi |
| 8 | ADF Audio Low | 8 | 11-33 VDC Aircraft Power |
| 9 | COM 1 Audio Hi | 9 | 11-33 VDC Aircraft Power |
| 10 | COM 1 Low | 10 | Airframe Ground |
| 11 | COM 1 Mic Audio Hi | 11 | Airframe Ground |
| 12 | COM 1 Mic Key | 12 | PA Mute |
| 13 | COM 2 Audio Hi | 13 | MKR HI Sense |
| 14 | COM 2 Low | 14 | MKR HI Sense Low |
| 15 | COM 2 Mic Audio Hi | 15 | Unsw 4 Aud Hi |
| 16 | No Connect | 16 | Pilot Phones (L) |
| 17 | NAV 1 Audio Hi | 17 | Copilot Panel Strap (Copilot unit only) |
| 18 | NAV 1 Low | 18 | No Connect |
| 19 | NAV 2 Audio Hi | 19 | PA Active |
| 20 | NAV 2 Low | 20 | Swap |
| 21 | DME Audio Hi (MKR Audio Hi*) | 21 | Swap Low |
| 22 | DME Low (MKR Audio Lo*) | 22 | IRS Playback |
| 23 | Aux Audio Hi | 23 | Ent. #1 Audio 1 (L) |
| 24 | Data + | 24 | Ent. #1 Audio 1 (R) |
| 25 | No connect | 25 | Ent. #1 Audio Low |
| 26 | Data - | 26 | Ent. #2 Audio 1 (L) (Copilot Unit only) |
| 27 | Speaker Load | 27 | Ent. #2 Audio 1 (R) (Copilot Unit only) |
| 28 | Speaker Load | 28 | Ent. #2 Audio Low (Copilot Unit only) |
| 29 | Unsw 3 Aud Hi | 29 | No Connect |
| 30 | COM 2 Mic Key | 30 | No Connect |
| 31 | Unsw 1 Aud Hi | 31 | Pilot Phones (R) |
| 32 | Unsw Aud 1 Low | 32 | X-tie Audio Input |
| 33 | Pilot Mic Audio | 33 | PTT Sense |
| 34 | Pilot PTT | 34 | Pilot/Copilot Mic Low |
| 35 | Pilot Mic Low | 35 | Expansion #1 Audio Input |
| 36 | Ext IM MKR- White | 36 | Expansion Low |
| 37 | Ext OM MKR- Blue | 37 | Expansion #2 Audio Input |
| 38 | Ext MM MKR- Amber | 38 | Expansion Low |
| 39 | MM Sense | 39 | Expansion #1 Power |
| 40 | Expansion Audio Output (L) | 40 | Unswitched #4 Low |
| 41 | Expansion Audio Output (R) | 41 | Expansion #2 Power |
| 42 | No Connect | 42 | CVR Audio Low |
| 43 | Unsw Aud 2 Low | 43 | Speaker Low |
| 44 | Unsw Aud 2 Hi | 44 | Speaker Hi |

PMA8000E Functions Only *NO marker receiver versions (-0414 & -0415)

2.10 Wiring Checkout

After wiring is complete, verify power is ONLY on pins 8 and 9 of the J2 and airframe ground on connector pins 10 and 11. Failure to do so will cause serious internal damage and void PS Engineering's warranty.

2.11 Unit Installation

To install the PMA8000E, gently slide the unit into the mounting rack until the hold-down screw is engaged. While applying gentle pressure to the face of the unit, tighten the 3/32" hex-head in the center of the unit until it is secure. DO NOT OVER TIGHTEN.

CAUTION

Apply steady pressure to the bezel while screwing the unit into the tray to ensure even seating of the unit and connectors. **WARNING** Do not over-tighten the lock down screw while installing the unit in tray. **Internal damage will result.**

2.12 Operational Checkout

2.12.1 Required Test Equipment

In order to return an aircraft to service after installation of the PMA8000E, the installer must have access to a Marker Beacon signal generator:

- a. IFR NAV401L, NAV402AP, IFR4000
- b. TIC T-30D, T-36C

Equivalent test equipment is acceptable as long as the testing requirements can be met.

2.12.2 Audio Panel Test

NOTE

The *IntelliVox*® is designed for ambient noise levels of 80 dB or above. Therefore, some clipping may occur in a quiet cabin, such as without the engine running, in a hangar. This is normal.

1. Apply power to the aircraft and avionics.
2. Plug headsets into the pilot, copilot, and occupied passenger positions.
3. Verify fail-safe operation by receiving and transmitting on com 1 from the pilot & copilot position, with the audio panel power off. The COM audio will be present in one ear cup only. Unswitched #1 will be heard if stereo headsets are used.
4. Switch on the units by pressing the volume (VOL) knob on both audio panels.
5. Verify both panels are in CREW mode.
6. Check intercom operation.
7. Push the COM 1 Xmt select button (lower row) on both audio panels.
8. Verify that both of the **COM 1** buttons light. Verify that transmit button LED (Light Emitting Diode) near the mic selector is not blinking. If the LED is blinking, stop testing and troubleshoot the microphone PTT installation.
9. Verify proper transmit and receive operation from the copilot's audio panel, noting that the copilot PTT switch allows proper transmission on the selected transceiver. Verify that the COM 1 Xmt button blinks when transmitting.
10. Verify that pushing the **COM 2** button causes the button to illuminate, and the COM 2 receiver to be heard. Verify operation on COM 1 from the pilot position.
11. Repeat for COM 2
12. Repeat for COM 3
13. Verify proper operation of all receiver sources by selecting them using the appropriate button. The button illuminates to show which source is in use.
14. Push the SPR button. Verify that all selected audio is heard in the cockpit speaker. Verify that the audio mutes when the mic is keyed.
15. Verify that the appropriate LED in the lower button row blinks when either push to talk is keyed.
16. Verify proper Intercom system operation in the **ALL**, **ISO** and **CREW** modes (see page 3-3).

17. Verify that the audio selector panel system does not adversely affect any other aircraft system by systematically switching the unit on and off, while monitoring the other avionics and electrical equipment on the aircraft.

2.12.3 Marker Checkout

1. Connect a ramp generator at the antenna end of the marker coax. With the unit under test in HI sensitivity, verify that a430 μ Volts, modulated 95% with 1300 Hz, signal will illuminate the amber (M) marker light, and that marker audio is present in the headphones when the Marker Audio (MKR) push-button has been depressed. Select SPR for speaker to verify marker audio availability on the cabin speaker. Verify that the white (I) and blue (O) lights will illuminate within \pm 3dB of the amber lamp, with 3000 HZ and 400 Hz applied, respectively.
2. Repeat with the unit in High sensitivity (P2, Pin 13 grounded), with 160 μ V applied.
3. Connect the marker antenna and verify proper operation.
4. For -0141 & -0415, press the MKR button and verify audio from external receiver is present.

2.12.4 Bluetooth Telephone Checkout

Verify that the PMA8000E will “pair” with a Bluetooth device, and interface with cellular phone and Music source. See section 3.12 for more information. Verify that the pilot headset is connected to the cellular telephone system (if installed). Verify that by using the pilot side PTT, the pilot can transmit on the other selected radio (COM 1 or COM 2). The telephone function will allow any person heard by the pilot on the intercom, also heard on the telephone.

2.12.5 Internal Recorder Checkout

With headset plugged into pilot's side jacks, tune COM 1 to local frequency, such as FSS or ATC ground. Select COM 1 on mic selector switch and record several incoming radio transmissions.

Note: The recorder will not play back a recording while the COM is active.

Press the COM receiver pushbutton that corresponds to the selected radio transmitter and *hold* for approximately one second. This action will then automatically play back the last recorded message. Press and HOLD the button again to stop the play back, and then momentarily press again to play prior messages.

This audio should appear in the pilot's headset only and only be incoming transmissions from the selected transceiver. Depress the audio panel or yoke mounted playback switch, and verify that messages play, in the order received. Repeat for COM 2 and COM 3. The playback will be stopped by audio on the selected com. The message can be replayed from the beginning, and audio received during the playback will not be stored.

Repeat for copilot's audio panel.

2.13 Final Inspection

Verify that the wiring is bundled away from all controls and no part of the installation interferes with aircraft control operation. Move all controls through their full range while examining the installation to see that no mechanical interference exists. Verify that the cables are secured to the aircraft structure in accordance with good practices, with adequate strain relief. Ensure that there are no kinks or sharp bends in the cables and coaxial cables. Verify that the cables are not exposed to any sharp edges or rough surfaces, and that all contact points are protected from abrasion.

Complete documentation that may be required, such as a logbook entry, weight and balance computation and FAA Form 337. Sample text for FAA Form 337, and instructions for continuing airworthiness can be found in Appendix F. Return completed warranty registration application to PS Engineering, or complete online at www.ps-engineering.com.

Section III OPERATION

3.1 SCOPE

This section provides detailed operating instructions for the PS Engineering PMA8000E, Audio Selector Panel/Marker Beacon Receiver/Intercom Systems. Please read it carefully before using the equipment so that you can take full advantage of its capabilities.

This section is divided into sections covering the basic operating areas of the PMA8000E systems. They are Communications Transceiver Selection, Audio Selector, Intercom, Marker Beacon Receiver and special functions, including the Bluetooth® functionality in the PMA8000E.

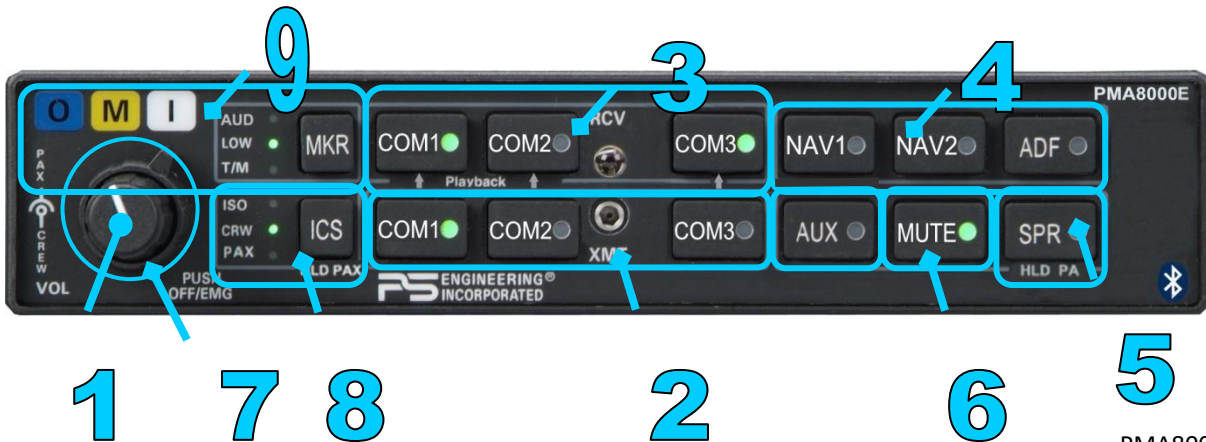


Figure 3-1 PMA8000E Operating Controls

Unit power is turned on and off by pushing the volume knob. In the OFF or "EMG" position, the pilot headset is connected directly to COM 1 as well as unswitched input #1. This allows communication capability regardless of unit condition. Any time power is removed or turned OFF, the audio selector will revert to fail-safe mode.

NOTE: Both crew members are connected to COM 1 in fail-safe. There is no priority, and in some cases microphone loading may make it necessary to unplug one crew member's microphone for optimum transmission quality.

Unswitched #1 will only be heard if stereo headsets are used.

The power switch controls all audio selector panel functions, intercom and marker beacon receiver. All pushbutton selections will be remembered and return to the last state when turned on.

3.2 Communications Transmit (XMT) Selection (2)

There are three pushbuttons associated with the transmitter selection. The three lower buttons (# 2) control which transceiver is selected for transmit. The top row of pushbuttons (# 3) allows selection of the receiver audio. Push the lower button to select the desired COM transmitter.

Only one transmitter can be selected by each crew member at a time. If both the pilot and copilot select the same transmitter, the pilot will have priority for radio push-to-talk.

3.1 Communications Receiver (RCV) Selection (3)

The PMA8000E-Series has an automatic selector system. Audio from the selected transceiver is automatically heard in the headsets and speaker (if selected). You can check this function by switching from COM 1 transmitter to COM 2 or COM 3 transmitter by pressing the transmitter selector pushbutton. See that the associated COM 2 or 3 receive pushbutton indicator light that is located immediately in the transmitter pushbutton turns green. This guarantees that the pilot will *always* hear the audio from the transceiver selected for transmit.



When switching from COM 1 transmitter to COM 2 or COM 3 while that COM receiver was not previously selected, the COM 1 audio will be switched off.

The PMA8000E “remembers” the receiver selection, so that when switching transmitters from COM 1 to COM 2, if COM 2 or COM 3 audio was previously selected, COM 1 audio will continue to be heard. This eliminates the pilot having to switch COM 1 audio back on, after changing transmitters.

In essence, switching the mic selector will not override prior selection of COM receiver audio.

3.1.1.1 Dual Transmission

The PMA8000E systems allow independent operation of the transmitters and receivers for the pilot and copilot audio panels.

The system gives priority to the pilot's radio Push-To-Talk (PTT). If the copilot is transmitting, and the pilot presses his PTT, the pilot's microphone will be heard over the selected com transmitter.

NOTE

Due to the nature of VHF communications signals, and the size constraints in general aviation aircraft, it is probable that there will be some bleed-over when both flight crew members transmit at the same time on different radios, particularly on adjacent frequencies. PS Engineering makes no warranty about the suitability of dual transmit in all aircraft conditions.

3.1.1.2 Swap Mode (Switch from COM 1 to COM 2 or COM 3 remotely)

With a yoke mounted, normally open momentary switch, the user can change from the current COM transceiver to the other by depressing this switch. To cancel "Swap Mode," the user may either press the yoke mounted switch again or select a different COM with the XMT buttons. The PMA8000E can be configured by the user to either Swap COM 1/COM 2, or COM 1/COM 2/COM 3. To change this function, press and hold the swap switch, and push and release the COM 3 RCV button momentarily.

3.1.1.3 Stuck Microphone Protection

The PMA8000E will sense if the pilot or copilot radio PTT remains keyed for more than 32 seconds. When a stuck mic is detected, the key input is ignored, and the other crewmember can transmit normally. If the stuck microphone key becomes ungrounded, normal operation is restored.

3.2 Audio Selector (4)

Communication audio from the other radio, not selected for transmit, can be heard by pressing the associated RCV button. You will always hear the audio from the selected transceiver.

Navigation receiver audio is selected through five momentary, push-button, backlit switches.

The users can identify which receivers are selected by noting which green switch LEDs are lit. Navigation aid audio push buttons are labeled **NAV 1**, **NAV 2**, **ADF** and **AUX** (auxiliary). DME audio (if present) will come through when the **AUX** button is selected. When one of these buttons is pressed, the mode is active, and the LED will illuminate. Press the switch again and it will be "off" and remove that receiver from the audio output.

Marker Audio (**MKR**) can be selected by a momentary press of the **MKR** button. (9)

3.3 Bluetooth Telephone

In a dual PMA8000E Installation, the **pilot's** Bluetooth transceiver services music for the pilot **only**. It is possible to share the Bluetooth telephone connects with the copilot's panel in the CREW intercom mode. In the ISO mode, the pilot's cell phone does not provide sidetone on the Bluetooth connection, the pilot will not hear himself on the telephone, even if sidetone enabled per §3.4.1.

Warning:

United States FCC Regulations contained in 47 CFR § 22.925 contain prohibition on airborne operation of cellular telephones. “Cellular telephones installed in or carried aboard airplanes, balloons or any other type of aircraft must not be operated while such aircraft are airborne (not touching the ground). When any aircraft leaves the ground, all cellular telephones on board that aircraft must be turned off.”

If pilot would like privacy, selecting the ISO mode on the pilot's audio panel will connect his Bluetooth telephone alone.

If the pilot would like to include the copilot, then select the CREW mode which will allow pilot and copilot to speak on the pilot's phone call.

The pilot will still have complete access to the aircraft radios, and will transmit on the selected com when the radio push-to-talk is used.

The copilot can connect a Bluetooth telephone to the copilot's audio panel.

If copilot would like privacy, selecting the ISO mode on the copilot's audio panel will connect his Bluetooth telephone alone.

If the copilot would like to include the pilot, then selecting the CREW mode will allow pilot and copilot to speak on the copilot's phone call.

3.3.1.1 Bluetooth® Operation (Serial Number EXXXX and up)

- If the pilot is on his Bluetooth phone, then both pilot & copilot will be on a party line while in the *crew* mode.
- If pilot selects ISO, then it is a private call
- If the copilot is on his Bluetooth phone, then both pilot & copilot will be on a party line while in the *crew* mode.
- If the copilot selects ISO, then it is a private call
- If both phones are connected, then each control panel must go into the ISO mode for private call. It will not work correctly if *both* phones are connected and live calls while in CREW mode.

3.3.2 Passenger on cell phone

The cell phone follows the intercom mode, so if the passengers wish to be included on the conversation, the crewmember selects HLD PAX on the audio panel to add passengers to the Bluetooth cell phone conversation.

NOTE

Because the cellphone uses an intercom circuit, all stations on that circuit will lose intercom capability when the cell phone is in use, but will be heard if the phone is connected.

3.3.3 Cell phone Sidetone

As shipped, the PMA8000E audio panels provide cellular telephone sidetone (the user's voice in the headset). Some cell phones provide their own sidetone. In PMA8000E audio panels, telephone sidetone can be disabled by pressing the AUX button for more than one second. Cell phone sidetone generated by the audio panel is not available when the audio panels are selected to the ISO mode.

NOTE: Because the sidetone is generated by the PMA8000E intercom, there will never be any sidetone audio available in ISO mode for either box.

3.4 Cockpit Speaker (5)

The **SPR** in the lower right section stands for speaker. This switch will place all selected audio on the cockpit speaker when this switch is selected.

Unswitched audio, (the inputs dedicated to autopilot disconnect, altimeter warning, etc.) will come through the speaker regardless of the speaker button position.

Depending on installation, important audio annunciations such as radar altimeter or autopilot disconnect will come over the speaker even if it is not selected, while other unswitched, but muted inputs, such as GPS alerts, will only be present if the SPR button is selected. Consult your professional avionics installer for these important configuration details.

3.4.1 Public Address Function

To activate PA function, press **SPR** button for more than one second on the desired audio panel. The crewmember microphone will be heard on the associated speaker when that



crewmembers' PTT is used. The other pilot can continue to use their audio panel normally.

During Public Address, the **SPR** button will flash. To exit PA mode, push and hold **SPR** again. This feature is reset at power cycles.

Additional relay switching and speakers may be required for cabin public address.

3.5 Marker Beacon Operation (9) (Applies to -0514 -0515 -0524 & -0525 only)

The Marker Beacon Receiver uses visual and audio indicators to alert you when the aircraft passes over a 75 MHz transmitter.

The Blue lamp, labeled "O", is the Outer Marker lamp and has an associated 400-Hertz 'dash' tone. The lamp and tone will be keyed at a rate of two tones/ashes per second when the aircraft is in the range of the Outer Marker Beacon.

The Amber lamp, labeled "M", is the Middle Marker lamp and is coupled with a 1300 Hertz tone. It is keyed alternately with short 'dot' and long 'dash' bursts at 95 combinations per minute.

The White lamp, labeled "I", is the Inner marker and has a 3000 Hertz 'dot' tone. The lamp and tone will be keyed at a rate of six times per second.

The audio from the Marker Beacon Receiver can be heard by pushing the "**MKR**" push-button switch momentarily.

A marker **AUD** LED will indicate the marker beacon audio has been selected.

To adjust the volume level, there is a service adjustment located on the top of the unit.

The Marker Sensitivity is controlled by an external switch, labeled MKR HI sense. When switched to ground, the marker receiver is in high sensitivity, otherwise, the marker is in LOW sense by default, and the "LOW" indicator on the audio panel is illuminated.

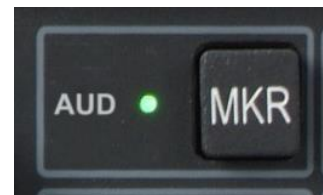
3.5.1 Marker Test and Mute

Holding the **MKR** button for one second activates marker test lamp, labeled "**T/M**" for Test/Mute and illuminates all three lamps simultaneously to assure the lamps (internal and external) are in working order. **T/M** does not activate MM autopilot sense output.

Pressing the **MKR** button ("**T/M**") for one second will also cause the marker audio to mute for that beacon. The next beacon received will re-activate the audio.

3.5.2 External Marker Audio Input

For units without the internal receiver (050-890-0414 and -0415) and audio signals from external marker receivers will appear in the headset output when the **MKR** button is pressed.



3.6 Intercom Operation

3.6.1 IntelliVox® VOX-Squelch

No adjustment of the *IntelliVox*® squelch control is necessary. There is no field adjustment. Through three individual signal processors, the ambient noise appearing in all six microphones is constantly being sampled. Non-voice signals are blocked. When someone speaks, only their microphone circuit opens, placing their voice on the intercom. The system is designed to block continuous tones; therefore, people humming or whistling in monotone may be blocked after a few moments.

For consistent performance, any headset microphone **must** be placed within ¼-inch of your lips, preferably against them. (ref: *RTCA/DO-214, 1.3.1.1 (a)*).

NOTE

It is also a good idea to keep the microphone out of a direct wind path. Moving your head through a vent air stream may cause the *IntelliVox*® to open momentarily. This is normal.

The *IntelliVox*® is designed to work with normal aircraft cabin noise levels (70 dB and above). It loves airplane noise! Therefore, it may not recognize speech and clip syllables in a quiet cabin, such as in the hangar, or without the engine running. This is normal.

For optimum microphone performance, PS Engineering recommends installation of a Microphone Muff Kit from Oregon Aero (1-800-888-6910). This will not only optimize VOX performance, but will improve the overall clarity of *all* your communications.

| Manufacturer | Model | Mic Muff™ Part Number |
|--------------|---------------------|-----------------------|
| Bose | Dynamic | 90010 |
| | Electret | 90015 |
| | M87 Dynamic | 90020 |
| David Clark | H10-30 | 90010 |
| | H10-20, H10-40 | 90015 |
| | H10-13.4 | 90015 |
| Lightspeed | All | 90015 |
| Peltor | 7003 | 90010 |
| | 7004 | 90015 |
| Pilot | 11-20 & 11-90 | 90015 |
| Sennheiser | | 90015 |
| Telex | Airman 750, Echelon | 90015 |
| | AIR3000 | 90010 |

Table 3-1 Mic Muff™ Part Numbers

3.6.2 Intercom Volume Control (7)

The inner volume control knob adjusts the loudness of the intercom for the crewmember connected to the audio panel. It has no effect on selected radio levels, music input levels or passengers' volume level.

The outer volume control knob controls intercom volume for any passengers connected to the copilot's audio panel. It has no effect on radio or music levels. The pilot's outer knob is not active and does not affect passenger intercom volume.

Adjust the radios and intercom volume for a comfortable listening level. Most general aviation headsets today have built-in volume controls; therefore, volume also can be further adjusted at the individual headset.

3.6.3 Intercom Modes (8)

In each audio panel, a short press of the ICS button toggles between Isolate (**ISO**) and Crew (**CRW**) intercom modes.

In ISO mode, the pilot or copilot will hear selected radios, unswitched audio. They do not hear any intercom audio. Music will be stopped if playing.

In CRW mode, the pilot and copilot audio intercom stations are connected. Each crew member continues to hear their selected receiver and unswitched audio connected to their audio panel. They can listen to the music connected to their panel.

Either audio panel can activate the CREW mode, and if either crew member pushes the ICS button to the ISO mode, then both panels will enter the ISO mode.

Intercom mode is indicated by green **ISO** or **CRW** LEDs.

3.6.3.1 Passenger intercom

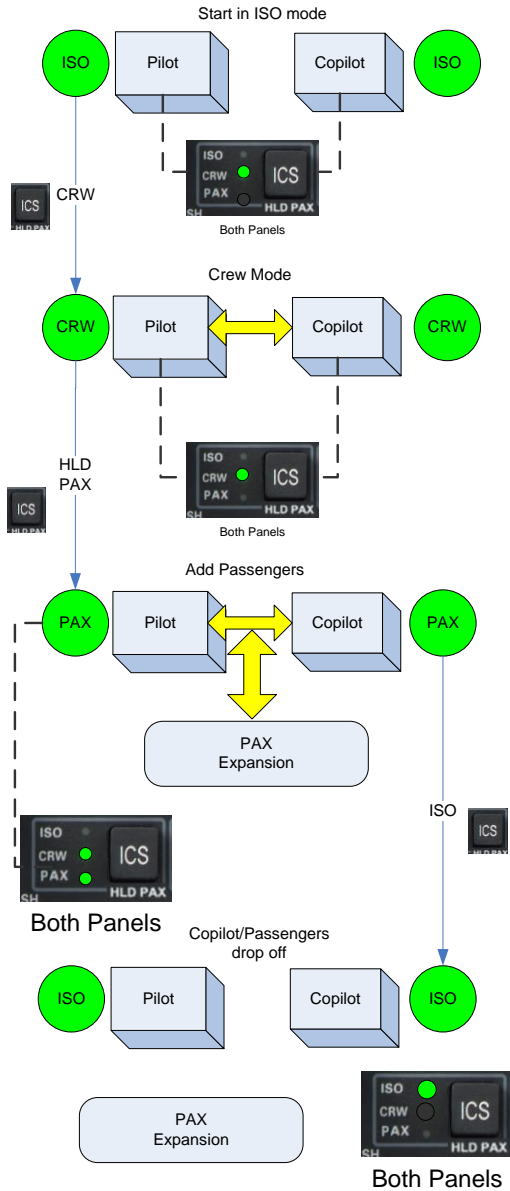
If equipped with an expansion unit, passengers can be added to the intercom by holding the ICS button for more than one second. When passengers are on the intercom, the **PAX** LED is also illuminated, along with the **ISO** or **CREW** green LED.

To place all aircraft stations on the intercom, the audio panels should be in CRW and PAX (long press ICS button on either audio panel).

Any time the **ICS** button is pressed momentarily, the intercom mode will drop the passengers. The next press of the **ICS** button will toggle between **ISO** and **CRW**. The passengers can also be removed from the crew intercom by holding the **ICS** button for more than one second.



PS Engineering
PMA8000E Audio Selector Panel and Intercom System
Installation and Operator's Manual



Passenger intercom is only available if an IntelliPAX Intercom module is used.

3.7 Music and Music Muting (6)

The PMA8000E has two independent music inputs at the rear connector. The PMA8000E also has the ability to receive streaming music from a Bluetooth-enabled device.

Music 1 will be heard by the crewmember positions in each audio panel. The Bluetooth streamed music in the PMA8000E is also Music 1.

NOTE:

All music devices should be turned off for takeoff, landing, or any critical phase of flight. FAA Regulation 14 CFR 91.21 restricts the use of portable electronic devices. §91.21 “(a) Except as provided in paragraph (b) of this section, no person may operate, nor may any operator or pilot in command of an aircraft allow the operation of, any portable electronic device on any of the following U.S.-registered civil aircraft. . . “(b)(5) Any other portable electronic device that the operator of the aircraft has determined will not cause interference with the navigation or communication system of the aircraft on which it is to be used.” You can refer to Advisory Circular 91.21-1A for more information, at <http://www.faa.gov>

The front panel "Mute" button controls the Mute on or off function for *Music 1*.

The SoftMute™ circuit will cut the music out whenever there is conversation on the radio, the intercom, or both, depending on the “Mute” mode selected. When that conversation stops, the music returns to the previous level comfortably, over a second or so.

3.8 Bluetooth® interface

NOTE: As delivered by the factory, Bluetooth is disabled in the PMA8000E. A specific sequence of key-strokes is required to activate the Bluetooth Module. This allows operators to prevent crew access to Bluetooth functions if desired.

The PMA8000E has a Bluetooth interface. The audio panel is always “discoverable,” so you just need to search for the PMA8000E from your Bluetooth-equipped phone or music source. The default access code is “0000”, if needed. Once the PMA8000E has been “paired” with your Bluetooth device, the TEL distribution will act as described in § 3.11.

Calls are answered or made from the telephone handset. You can disconnect from the handset.

3.8.1 Pairing and unpairing Bluetooth devices

The PMA8000E can be paired with up to eight individual devices. When that number is exceeded, one device will be automatically un-paired to allow the new device. The device eliminated will be selected at random by the Bluetooth module. *Hint, if your old phone is not recognized by the PMA8000E, you may simply need to re-pair.*

3.8.1.1 Paring separate music and telephone devices

It is possible to use a different music source (iPad, iPod with Bluetooth adapter, Bluetooth enabled laptop, etc.) and telephone. However, the telephone source must be paired **first**, *before* the music, if the telephone also has music streaming capability. Note: iPhones will probably take control over other music devices. In Android you may select music or phone only..

3.9 Internal Recorder and Playback

The PMA8000E comes equipped with an internal recorder. This digital system stores the last incoming audio from the radio you have selected for transmit. It can store as many as 8 incoming messages, and up to 60 seconds of audio. The pilot and copilot hear the playback. It is also possible to modify the unit to exclude the copilot from the playback, and annunciation playback. Contact PS Engineering for more details.



Recording is automatic. To play back the last recorded message, press and hold the COM Receive pushbutton associated with the selected radio transmitter for about one (1) second. You can either wait for the message to finish playing before accessing the prior message or cancel the current playback and step backward. To cancel the playback, press and hold the COM receive playback button for two seconds (2). The next time the button is pressed for one (1) second, the next earlier message will be heard. The playback will stop whenever there is more incoming selected com audio, and the message can be replayed from the beginning by pressing the selected COM Receive button again for 1 second

Section IV – Warranty and Service

4.1 Warranty

In order for the factory warranty to be valid, the installations in a certified aircraft must be accomplished by an FAA-(or other ICAO agency) certified avionics shop and authorized PS Engineering dealer. If the unit is being installed by a non-certified individual in an experimental aircraft, a factory-made intercom harness must be used for the warranty to be valid.

PS Engineering, Inc. warrants this product to be free from defect in material and workmanship for a period of two (2) years from the date of sale. During the first **twelve (12) months** of the three-year warranty period, PS Engineering, Inc., at its option, will send a replacement unit at our expense if the unit should be determined to be defective after consultation with a factory technician. For the remaining **twelve (12) months** of the two-year warranty period, PS Engineering, Inc., at its option, will send a similar replacement unit at the customers expense if the unit should be determined to be defective after consultation with an authorized PS Engineering dealer.

All transportation charges for returning the defective units are the responsibility of the purchaser. All domestic transportation charges for returning the exchange or repaired unit to the purchaser will be borne by PS Engineering, Inc. The risk of loss or damage to the product is borne by the party making the shipment, unless the purchaser requests a specific method of shipment. In this case, the purchaser assumes the risk of loss.

This warranty is not transferable. Any implied warranties expire at the expiration date of this warranty. PS Engineering SHALL NOT BE LIABLE FOR INCIDENTAL OR CONSEQUENTIAL DAMAGES. This warranty does not cover a defect that has resulted from improper handling, storage or preservation, or unreasonable use or maintenance as determined by us. This warranty is void if there is any attempt to disassemble this product without factory authorization. This warranty gives you specific legal rights, and you may also have other rights, which may vary from state to state. Some states do not allow the exclusion of limitation of incidental or consequential damages, so the above limitation or exclusions may not apply to you.

All items repaired or replaced under this warranty are warranted for the remainder of the original warranty period. PS Engineering, Inc. reserves the rights to make modifications or improvements to the product without obligation to perform like modifications or improvements to previously manufactured products.



Scan for Warranty Registration

4.2 Factory Service

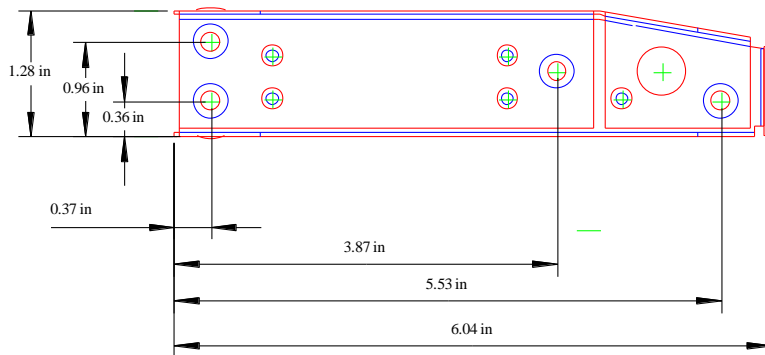
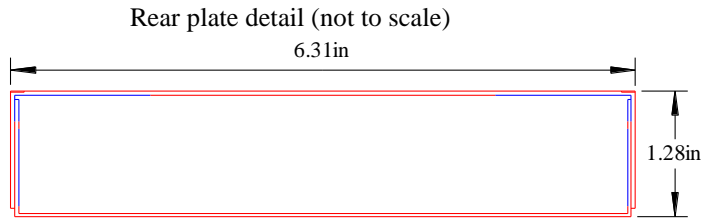
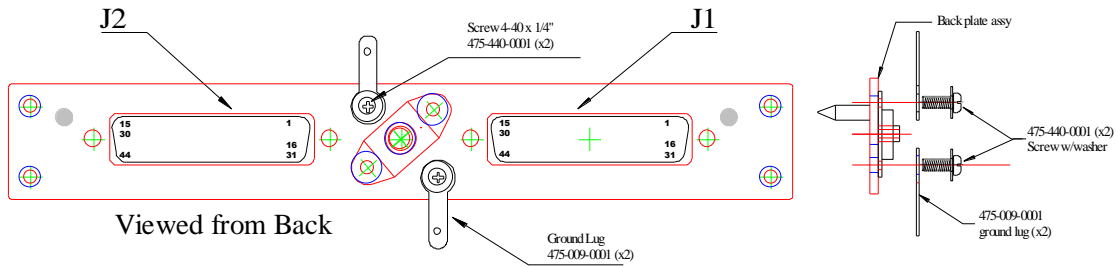
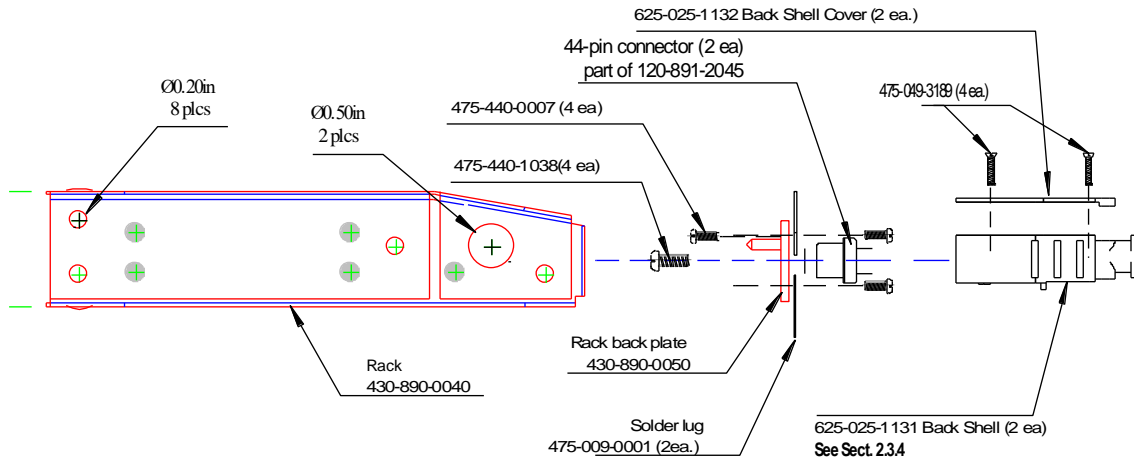
The units are covered by a three-year limited warranty. See warranty information. Call PS Engineering, Inc. at (865) 988-9800 before you return any unit. This will allow the service technician to provide any other suggestions for identifying the problem and recommend possible solutions.

After discussing the problem with the technician and you obtain a Return Authorization Number, ship product to:

PS Engineering, Inc.
Attn: Service Department
9800 Martel Rd
Lenoir City, TN 37772
(865) 988-9800 FAX (865) 988-6619
Email: support@ps-engineering.com

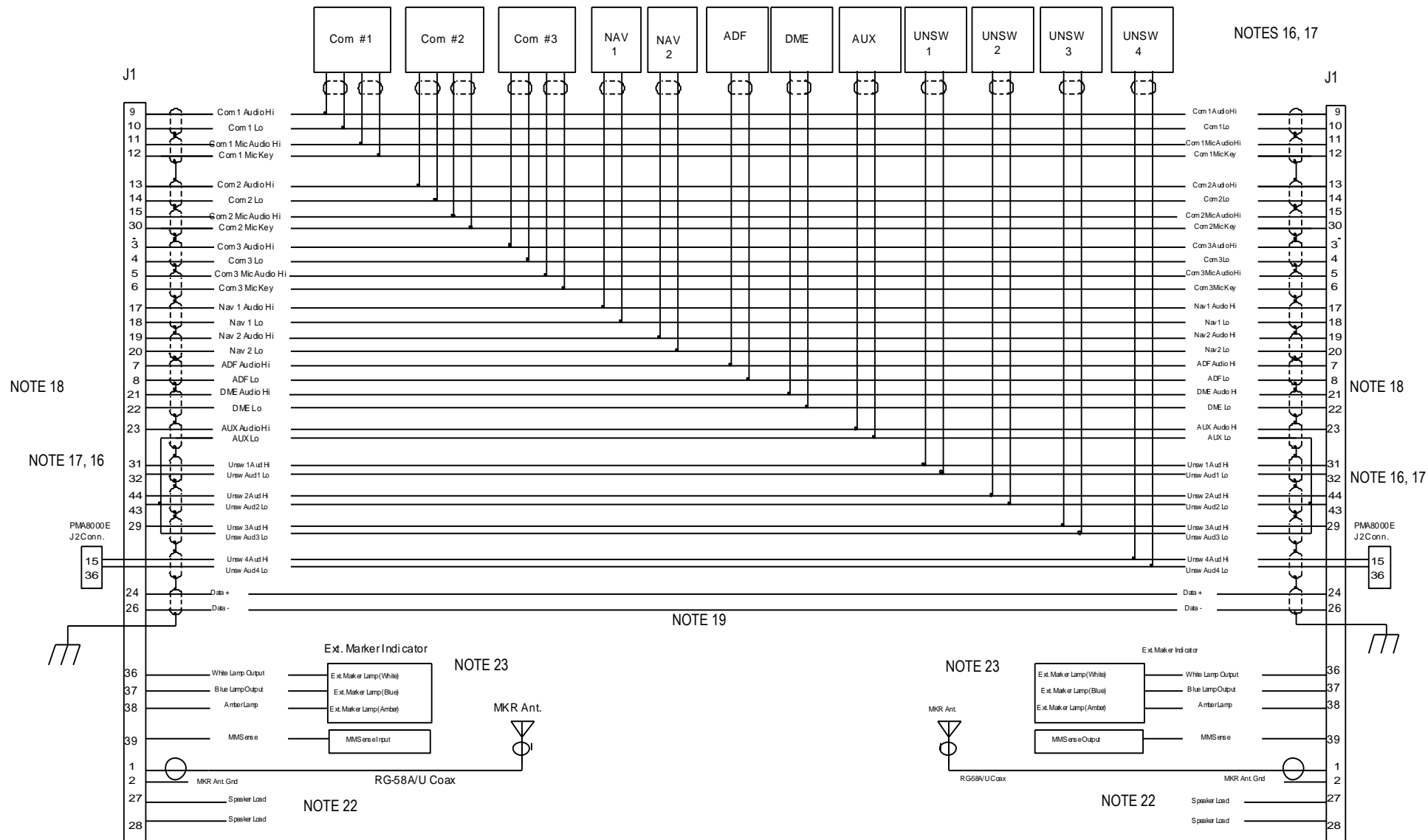
Units that arrive without an RMA number, or telephone number for a responsible contact, will be returned un-repaired. PS Engineering is not responsible for items sent via US Mail.

Appendix A – PMA8000E Installation Drawings



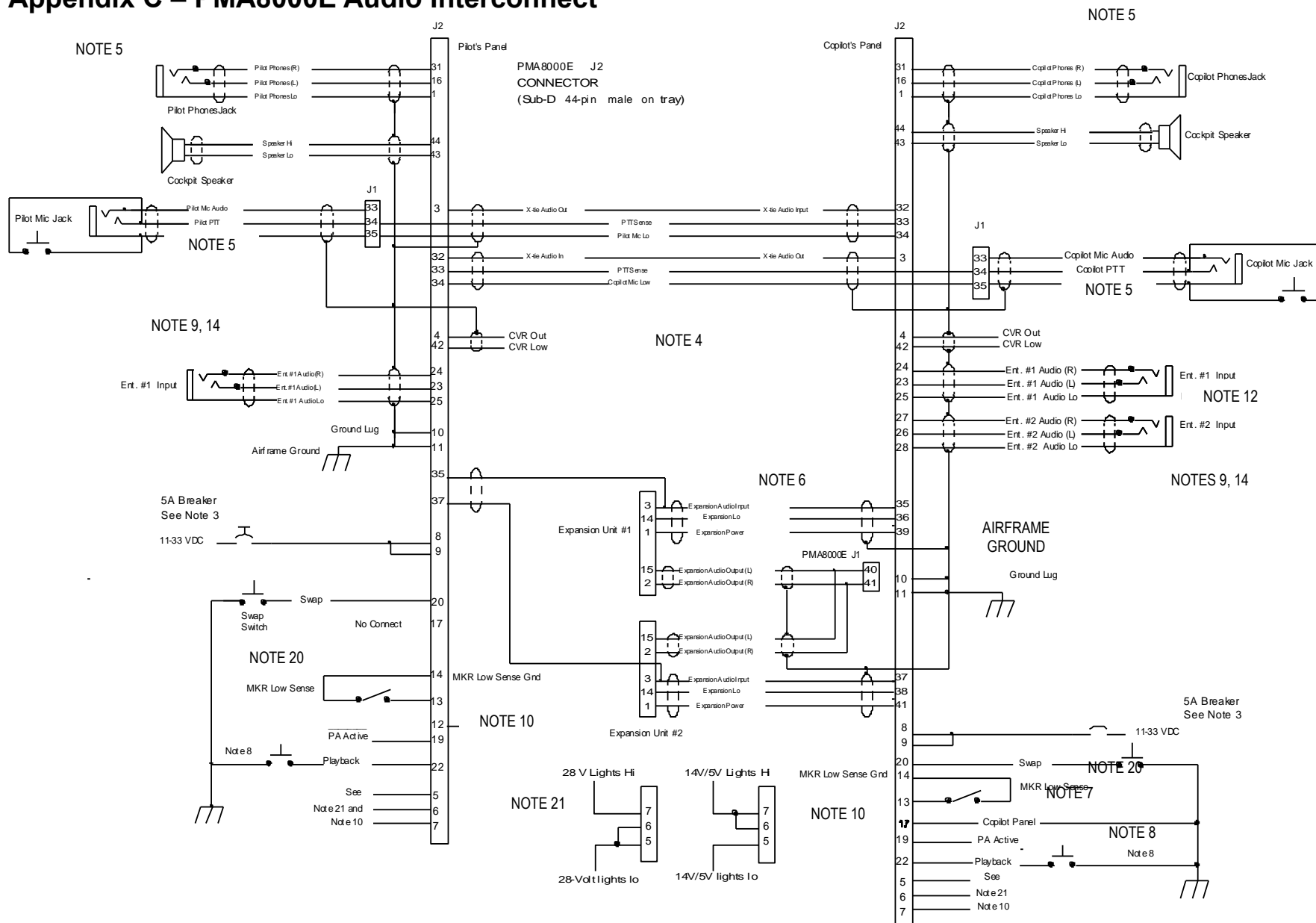
Caution: Apply steady pressure to the bezel while screwing the unit into the tray to ensure even seating of the unit and connectors.

Appendix B –PMA8000E Radio Interconnect



PS Engineering
PMA8000E Audio Selector Panel and Intercom System
Installation and Operator's Manual

Appendix C – PMA8000E Audio Interconnect



INTERCONNECT NOTES:

1. All wiring must conform to MIL STD 22750 or 27500.
2. All wiring must be #24 AWG or larger, unless otherwise noted.
3. Pins 8 and 9 connected through a 5 A breaker Power and Ground to be #22 AWG or larger. For best results, power and ground wires should be twisted together for greater noise immunity.
4. All shields should be grounded at respective audio panel only as shown, other end remains floating.
5. All phone and mic jacks must be floating from ground.
6. Passengers' intercom expansion unit is connected to copilot audio panel as shown. Each expansion can support up to 6 passengers.
7. Pin 17 is grounded on copilot panel **only**.
8. Optional switch for IRS playback.
9. Music 1 in pilot's panel is only available to the pilot station. Music 1 in copilot panel is available to that station
Music 2 is only connected to copilot's audio panel and feeds the expansion unit only. For music distribution information, see § 2.5.1
10. PA Mute is a TTL level logic output that is pulled low when PTT active. Pin 19 is switched to ground when the PA mode is activated, placing pilot microphone on speaker output while pilot PTT is active. See Sect 2.4.12
11. Reserved
12. For music distribution information, see Section 2.5.1.
13. Reserved
14. Use care when connecting music signal and ground inputs. Refer to section 2.4.1.1 for more information. Failure to properly interface music can result in added noise.
15. Reserved
16. Unswitched #2 is selectable over the cockpit speaker
17. Unswitched input #3 is adjustable
18. Audio from external marker received should be input to J-1 Pin 21, with respect to J1-Pin 22 (DME input), for -0414 & -0415 versions.
19. Serial Data Interface
20. Grounding Pin 13 places marker Receiver in High Sense mode.
21. For lighting details see [§2.4.5](#)
22. Speaker loads may be required on some older transceivers, consult radio manufacturer.
23. Marker output goes positive when marker lamp is active. Contact PS Engineering to interface to Sandel SN3308.

Appendix D – Instructions for FAA Form 337 and continuing airworthiness

8.1 Instructions for FAA Form 337, Audio Panels

One method of airworthiness approval is through an FAA Form 337, *Major Repair and Alteration (Airframe, Powerplant, Propeller, or Appliance)* In the case of the PMA8000E, you may use the following text as a guide.

Installed audio selector and 6-place intercom, PS Engineering PMA8000E, part number 050-890-(XXXX) in (location) at station _____. Installed per *AC43.13-2, Chapter 2, paragraph 23* (Instrument Panel Mounting). Installed per PS Engineering *Installation Operators Manual* p/n 200-890-(XXXX), revision (), dated ().

These units are FAA-Approved under TSO C50c for audio amplifiers, and/or TSO C35d for Marker Beacon Receivers, and meets appropriate environmental qualifications outlined in RTCA DO-160D as appropriate or this aircraft.

Interface to existing aircraft radios in accordance with installation manual and in compliance with practices listed in *AC43.13-2, Chapter 2*. All wires are Mil-Spec 22759 or 27500. Connection to aircraft dimmer bus is _____. Power is supplied to the unit through a 3A circuit breaker (type and part number), and total electrical load does not exceed ____% of the electrical system capacity with the PMA8000E added.

Aircraft equipment list, weights and balance amended. Compass compensation checked. A copy of the operation instructions, contained in PS Engineering document 202-890-(), revision (), dated (), is placed in the aircraft records. All work accomplished listed on Work Order_____.

8.2 Instructions for Continuing Airworthiness, Audio System

Sample ICA Checklist for PS Engineering Audio System:

| Section | Item | Information |
|---------|-------------------------------------|--|
| 1 | Introduction | Installation of audio control panel with integrated marker beacon receiver and intercommunications system. |
| 2 | Description | Installation as described in manufacturer's installation manual referenced on FAA Form 337, including interface with other avionics audio as required. |
| 3 | Controls | See installation and operator's guide referenced on FAA Form 337. |
| 4 | Servicing | None Required |
| 5 | Maintenance Instructions | On Condition, no special instructions |
| 6 | Troubleshooting | In the event of a unit problem, place the unit into "off," "fail-safe" and/or "emergency" mode. This allows pilot communications using COM 1. Follow checkout instructions in the installation manual referenced on the FAA Form 337. For a specific unit fault, contact the manufacturer at (865) 988-9800 for special instructions. |
| 7 | Removal and replacement information | <u>Removal:</u> Using a 3/32" Allen-head wrench, carefully unscrew the locking screw located in the center of the unit. While turning the wrench CCW, gently pull on the EDGES of the bezel until the unit is free from the mounting tray. <u>Installation:</u> Engage the locking screw at the back. Turn the locking screw CW, while applying slight pressure to the edges of the bezel. Do not over tighten! |
| 8 | Diagrams | Not applicable |
| 9 | Special Inspection Requirements | Not Applicable |
| 10 | Protective Treatments | Not Applicable |
| 11 | Structural Data | Not Applicable |
| 12 | Special Tools | None |
| 13 | Not Applicable | Not Applicable |
| 14 | Recommended Overhaul Periods | None |
| 15 | Airworthiness Limitations | Not Applicable |
| 16 | Revision | To be determined by installer |

Appendix E – RTCA DO160D Environmental Qualification Form

Audio Selector Panel/Intercom/Marker Beacon Receiver

Part Number: 050-890-()

FAA TSO Number: C50c, C35d

Manufacturer: PS Engineering Incorporated 9800 Martel Road Lenoir City TN 37772

| Conditions | Section | Conducted Tests |
|--|---------|---|
| Temperature and Altitude | 4.0 | Equipment tested to CAT A1 & D1 |
| Low Temperature | 4.5.1 | -55° C Survival, -15°C Low Operating (A1) |
| High Temperature | 4.5.2 | +85°C Survival, +70°C High Short Time Operating |
| In-flight Loss of Cooling | 4.5.4 | Not Applicable, no cooling required |
| Altitude | 4.6.1 | 50,000' unpressurized (D1) |
| Decompression | 4.6.2 | Not Applicable |
| Overpressure | 4.6.3 | Not Applicable |
| Temperature variation | 5.2 | Equipment tested to Category C |
| Humidity | 6.0 | Equipment tested to Category A |
| Shock | 7.0 | Equipment tested to Operational test only |
| Operational | 7.2 | Equipment tested to Operational test only |
| Crash Safety | 7.3 | Equipment tested to Operational test only |
| Vibration | 8.0 | Equipment tested to Category S, Zone M |
| Explosion | 9.0 | Category X, not tested |
| Waterproofness | 10.0 | Category X, not tested |
| Fluids Susceptibility | 11.0 | Category X, not tested |
| Sand and Dust | 12.0 | Category X, not tested |
| Fungus | 13.0 | Category X, not tested |
| Salt Spray | 14.0 | Category X, not tested |
| Magnetic Effect | 15.0 | Equipment tested to Category Z |
| Power input | 16.0 | Equipment tested to Category B |
| Voltage Spike | 17.0 | Equipment tested to Category A |
| Audio Frequency Susceptibility | 18.0 | Equipment tested to Category B |
| Induced Frequency Susceptibility | 19.0 | Equipment tested to Category A |
| Radio Frequency Susceptibility | 20.0 | Equipment tested to Category T |
| Radio Frequency Emission | 21.0 | Equipment tested to Category B |
| Lightning Induced Transient Susceptibility | 22.0 | Equipment tested to Category XXE2 |
| Lightning Direct Effects | 23.0 | Category X, not tested |
| Icing | 24.0 | Category X, not tested |
| ESD | 25.0 | Category X, not tested |